

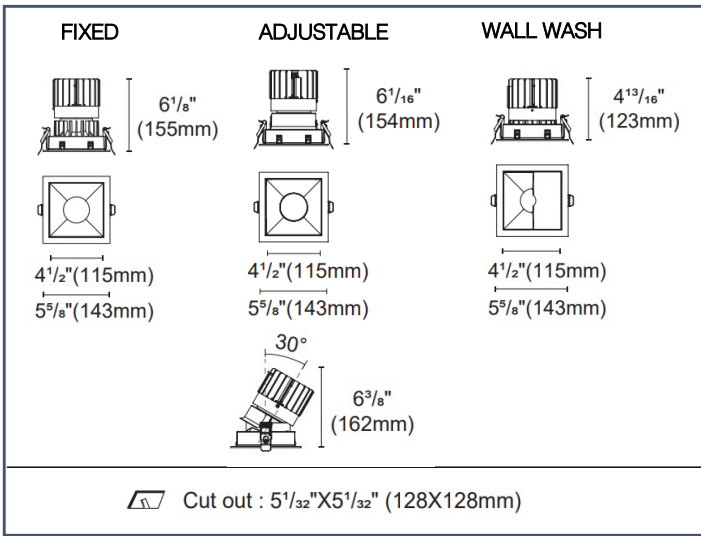


### TECHNICAL SPECIFICATION

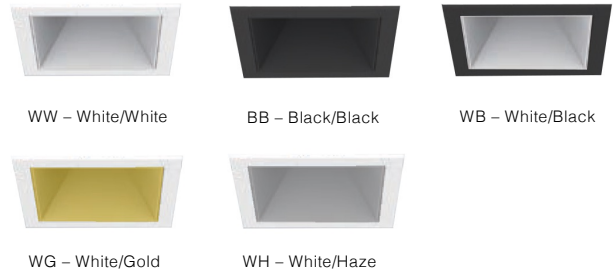
Minimum profile downlight with metal conduit and driver included for easy remodel or new construction installation.

### SPECIFICATIONS

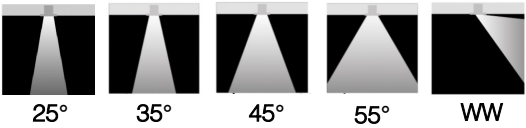
- Construction: Die-cast Aluminum
- Optics: PMMA Lens
- Power: 45W Input: 120-277 VAC, 50/60Hz
- CCT: 2700K, 3000K, 3500K, 4000K
- CRI: +90
- LED Source: 1961lm-3305lm
- Beam Angle: 20°/30°/45°/55°/WW
- Adjustable fixture from 0° -30° Tilt – Rotation 0°-358°
- Dimming Options: DALI – TRIAC – 0-10V
- Light Source: Integrated LED Lens: TIR lens
- Rated Life: L80 >50000 Hours
- Finish: Electrostatically Powder Coated: White, Black, Hazel and Gold (RAL options available).
- Standards: ETL, cETL, Wet and Damp Location Listed
- Fixed and Wall wash – Wet Location Rated
- Adjustable - Damp Location Rated



### FINISHES



### OPTICS



### CCT



#### 1. Trim Type

- LUZ5-SFT** = Square Reflector, Fixed, Trim (3258lm) **Wet**
- LUZ5-SAT** = Square Reflector, Adjustable, Trim (3242lm) **Damp**
- LUZ5-SWWT** = Square Reflector, Wall Wash, Trim (2017lm) **Wet**

#### 2. Color Temperature

- 27** = 2700K  
**30** = 3000K  
**35** = 3500K  
**40** = 4000K

#### 3. Optic

- NS** = 25°\*  
**N** = 35°\*  
**M** = 45°\*  
**W** = 55°\*  
**WW** = Wall Wash\*\*

#### 4. Finish

- WW** = White Trim / White Reflector  
**BB** = Black Trim / Black Reflector  
**WB** = White Trim / Black Reflector  
**WH** = White Trim / Haze Reflector  
**WG** = White Trim / Gold Reflector

#### 5. Dimming

Please see Housing Ordering Sheet (page 2)

#### Accessories



\* Not available for LUZ5-SWWT

\*\* Only available optic for LUZ5-SWWT


Example: **LUZ5-SFT-30-M-WW** = 5" Square Fixed Downlight – 3000K – 40° Optic – White Trim / White Reflector

## LUZ 5 – SQUARE

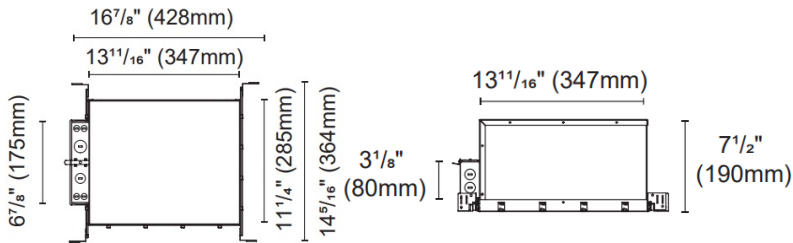
V2.8

TRIAC

0-10V




New Construction

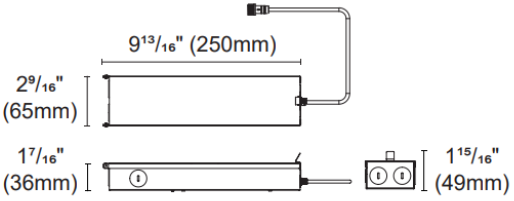


TRIAC

0-10V



Remodel



Internal space dimension:  
L 9<sup>13</sup>/<sub>16</sub>" (250mm) X W 2<sup>1</sup>/<sub>2</sub>" (64mm) X H 1<sup>5</sup>/<sub>16</sub>" (34mm)

TRIAC

0-10V



New Construction Plate



1. Trim Type	2. CONTROL	3. OPTIONS
<b>LCNCIC-45</b> = New Construction Housing – IC Rated	<b>TRIAC</b> = TRIAC (120V) <b>0-10V</b> = 0-10V (120-277V) <b>DALI</b> = DALI (120-277V)	<b>EMB</b> = Emergency Battery Holder / Battery Not Included
<b>LZREM-45</b> = Remodel Housing (non IC)		
Accessory <b>LZNCP-5*</b> = New Construction Plate (non IC)		
* To be used with LZREM-45		
Example: <b>LCNCIC-5-TRIAC</b> = New Construction Housing – Triac Dimming		

