



### TECHNICAL SPECIFICATION

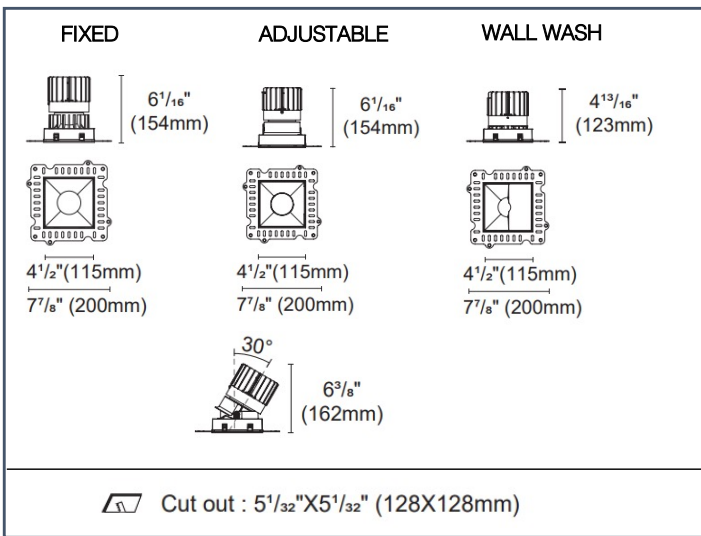
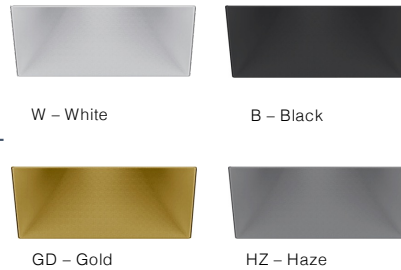
Minimum profile downlight with metal conduit and driver included for easy remodel or new construction installation.

### SPECIFICATIONS

- Construction: Die-cast Aluminum
- Optics: PMMA Lens
- Power: 45W Input: 120-277 VAC, 50/60Hz
- CCT: 2700K, 3000K, 3500K, 4000K
- CRI: +90
- LED Source: 1961lm-3305lm
- Beam Angle: 20°/30°/45°/55°/WW
- Adjustable fixture from 0° -30° Tilt – Rotation 0°-358°
- Dimming Options: DALI – TRIAC – 0-10V
- Light Source: Integrated LED Lens: TIR lens
- Rated Life: L80 >50000 Hours
- Finish: Electrostatically Powder Coated: White, Black, Hazel and Gold (RAL options available).
- Standards: ETL, cETL, Wet and Damp Location Listed
- Fixed and Wall wash – Wet Location Rated
- Adjustable - Damp Location Rated



### FINISHES



### OPTICS



### CCT



### 1. Trim Type

**LUZ5-SFTL** = Square Trimless Reflector, Fixed, Trim (3258lm) **Wet**

**LUZ5-SATL** = Square Trimless Reflector, Adjustable, Trim (3242lm) **Damp**

**LUZ5-SWWTL** = Square Trimless Reflector, Wall Wash, Trim (2017lm) **Wet**

### 2. Color Temperature

**27** = 2700K  
**30** = 3000K  
**35** = 3500K  
**40** = 4000K

### 3. Optic

**NS** = 25°\*  
**N** = 35°\*  
**M** = 45°\*  
**W** = 55°\*  
**WW** = Wall Wash\*\*

### 4. Finish

**W** = White Reflector  
**B** = Black Reflector  
**HZ** = Haze Reflector  
**GD** = Gold Reflector

### 5. Dimming

Please see Housing Ordering Sheet (page 2)

### Accessories



\* Not available for LUZ5-SWWTL

\*\* Only available optic for LUZ5-SWWTL


Example: **LUZ5-SFTL-30-M-W** = 5" Square Trimless Fixed Downlight – 3000K – 40° Optic – White Reflector

## LUZ 5 – SQUARE TRIMLESS

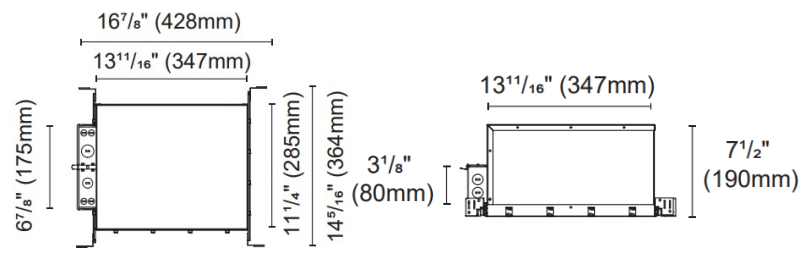
V2.8

TRIAC

0-10V



New Construction



TRIAC

0-10V



Remodel



Internal space dimension:  
L 9<sup>13</sup>/<sub>16</sub>" (250mm) X W 2<sup>1</sup>/<sub>2</sub>" (64mm) X H 1<sup>5</sup>/<sub>16</sub>" (34mm)

TRIAC

0-10V



New Construction Plate



1. Trim Type	2. CONTROL	3. OPTIONS
<p><b>LCNCIC-45</b> = New Construction Housing – IC Rated</p> <p><b>LZREM-45</b> = Remodel Housing (non IC)</p>	<p><b>TRIAC</b> = TRIAC (120V)</p> <p><b>0-10V</b> = 0-10V (120-277V)</p> <p><b>DALI</b> = DALI (120-277V)</p>	<p><b>EMB</b> = Emergency Battery Holder / Battery Not Included</p>

Accessory

**LZNCP-5\*** = New Construction Plate (non IC)



EMB – Emergency holder.

\* To be used with LZREM-45

Example: **LCNCIC-45-TRIAC** = New Construction Housing – Triac Dimming