

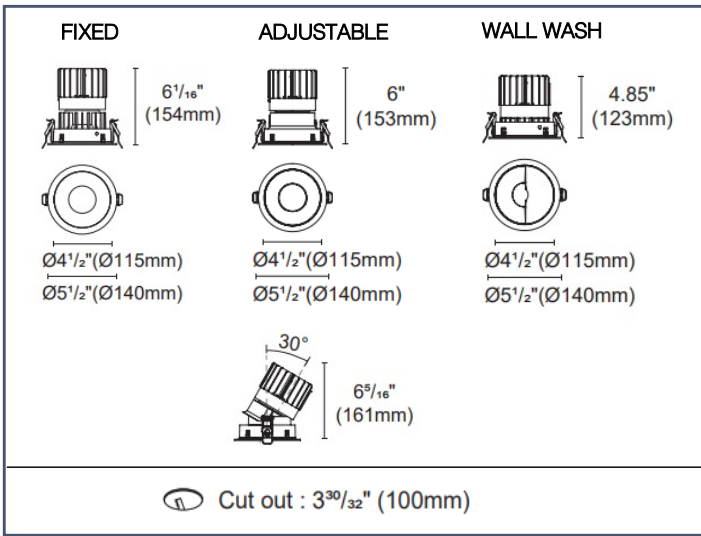


TECHNICAL SPECIFICATION

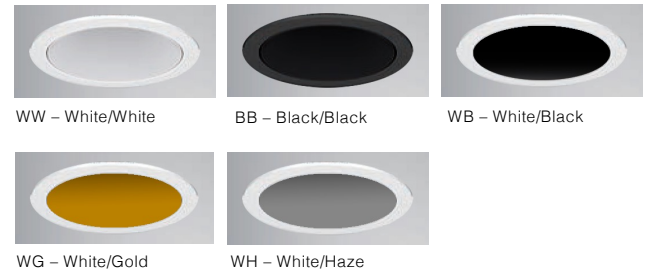
Minimum profile downlight with metal conduit and driver included for easy remodel or new construction installation.

SPECIFICATIONS

- Construction: Die-cast Aluminum
- Optics: PMMA Lens
- Power: 45W Input: 120-277 VAC, 50/60Hz
- CCT: 2700K, 3000K, 3500K, 4000K
- CRI: +90
- LED Source: 1961lm-3305lm
- Beam Angle: 20°/30°/45°/55°/WW
- Adjustable fixture from 0° -30° Tilt – Rotation 0°-358°
- Dimming Options: DALI – TRIAC – 0-10V
- Light Source: Integrated LED Lens: TIR lens
- Rated Life: L80 >50000 Hours
- Finish: Electrostatically Powder Coated: White, Black, Hazel and Gold (RAL options available).
- Standards: ETL, cETL, Wet and Damp Location Listed
- Fixed and Wall wash – Wet Location Rated
- Adjustable - Damp Location Rated



FINISHES



OPTICS



CCT



1. Trim Type

LUZ5-RFT = Round Reflector, Fixed, Trim (3305lm) **Wet**

LUZ5-RAT = Round Reflector, Adjustable, Trim (3190lm) **Damp**

LUZ5-RWWT = Round Reflector, Wall Wash, Trim (1961lm) **Wet**

2. Color Temperature

27 = 2700K
30 = 3000K
35 = 3500K
40 = 4000K

3. Optic

NS = 25°*
N = 35°*
M = 45°*
W = 55°*
WW = Wall Wash**

4. Finish

WW = White Trim / White Reflector
BB = Black Trim / Black Reflector
WB = White Trim / Black Reflector
WG = White Trim / Gold Reflector
WH = White Trim / Haze Reflector

5. Dimming

Please see **Housing Ordering Sheet (page 2)**

Accessories



* Not available for LUZ5-RWWT

** Only available optic for LUZ5-RWWT

Example: **LUZ5-RFT-30-M-WW** = 5" Round Fixed Downlight – 3000K – 35° Optic – White Trim / White Reflector

LUZ 5 – ROUND

V2.8

TRIAC

0-10V

New Construction

16⁷/₈" (428mm)

13¹¹/₁₆" (347mm)

13¹¹/₁₆" (347mm)

TRIAC

0-10V

Remodel

9¹³/₁₆" (250mm)

2⁹/₁₆" (65mm)

1¹⁵/₁₆" (49mm)

Internal space dimension:
L 9¹³/₁₆" (250mm) X W 2¹/₂" (64mm) X H 1⁵/₁₆" (34mm)

TRIAC

0-10V

New Construction Plate

12¹/₁₆" (306mm)

14¹/₈" (358mm)

8⁷/₁₆" (215mm)

1⁷/₁₆" (37mm)

1. Trim Type	2. CONTROL	3. OPTIONS
LCNCIC-45 = New Construction Housing – IC Rated	TRIAC = TRIAC (120V) 0-10V = 0-10V (120-277V) DALI = DALI (120-277V)	EMB = Emergency Battery Holder / Battery Not Included
LZREM-45 = Remodel Housing (non IC)		
Accessory LZNCP-5* = New Construction Plate (non IC)		
* To be used with LZREM-45		
Example: LCNCIC-45-TRIAC = New Construction Housing – Triac Dimming		

