

LUZ 5 – ROUND TRIMLESS

V2.8



TECHNICAL SPECIFICATION

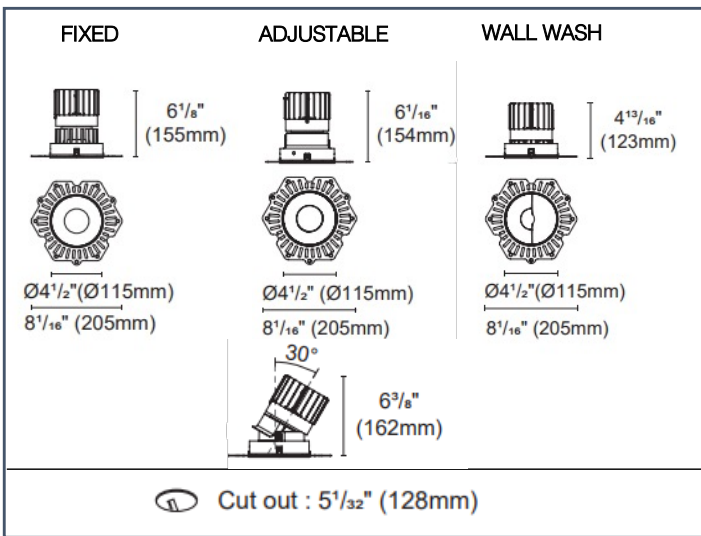
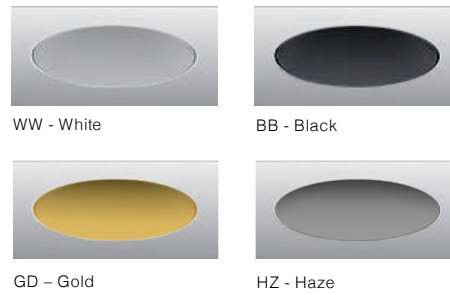
Minimum profile downlight with metal conduit and driver included for easy remodel or new construction installation.

SPECIFICATIONS

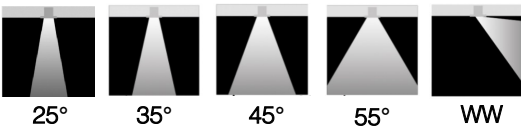
- Construction: Die-cast Aluminum
- Optics: PMMA Lens
- Power: 45W Input: 120-277 VAC, 50/60Hz
- CCT: 2700K, 3000K, 3500K, 4000K
- CRI: +90
- LED Source: 1961lm-3305lm
- Beam Angle: 20°/30°/45°/55°/WW
- Adjustable fixture from 0° -30° Tilt – Rotation 0°-358°
- Dimming Options: DALI – TRIAC – 0-10V
- Light Source: Integrated LED Lens: TIR lens
- Rated Life: L80 >50000 Hours
- Finish: Electrostatically Powder Coated: White, Black, Hazel and Gold (RAL options available).
- Standards: ETL, cETL, Wet and Damp Location Listed
- Fixed and Wall wash – Wet Location Rated
- Adjustable - Damp Location Rated



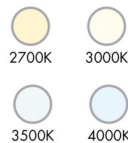
FINISHES



OPTICS



CCT



1. Trim Type

LUZ5-RFTL = Round Trimless Reflector, Fixed, Trim (3305lm) **Wet**

LUZ5-RATL = Round Trimless Reflector, Adjustable, Trim (3190lm) **Damp**

LUZ5-RWWTL = Round Trimless Reflector, Wall Wash, Trim (1961lm) **Wet**

2. Color Temperature

27 = 2700K
30 = 3000K
35 = 3500K
40 = 4000K

3. Optic

NS = 25°*
N = 35°*
M = 45°*
W = 55°*
WW = Wall Wash**

4. Finish

WW = White Reflector
BB = Black Reflector
HZ = Haze Reflector
GD = Gold Reflector

5. Dimming

Please see Housing Ordering Sheet (page 2)

Accessories



* Not available for LUZ5-RWWTL

** Only available optic for LUZ5-RWWTL

Example: **LUZ5-RFTL-30-M-WW** = 5" Round Trimless Fixed Downlight – 3000K – 40° Optic – White Trim / White Reflector

LUZ 5 – ROUND TRIMLESS

V2.8

	TRIAC	0-10V	
--	-------	-------	--

New Construction

LZNCIC-45

	TRIAC	0-10V	
--	-------	-------	--

Remodel

Internal space dimension:
L 9¹³/₁₆" (250mm) X W 2¹/₂" (64mm) X H 1⁵/₁₆" (34mm)

LZREM-45

	TRIAC	0-10V	
--	-------	-------	--

New Construction Plate

LZNCP-5

1. Trim Type	2. CONTROL	3. OPTIONS
LCNCIC-45 = New Construction Housing – IC Rated	TRIAC = TRIAC (120V) 0-10V = 0-10V (120-277V) DALI = DALI (120-277V)	EMB = Emergency Battery Holder / Battery Not Included
LZREM-45 = Remodel Housing (non IC)		

Accessory

LZNCP-5* = New Construction Plate (non IC)

* To be used with LZREM-45



Example: **LCNCIC-5-TRIAC** = New Construction Housing – Triac Dimming