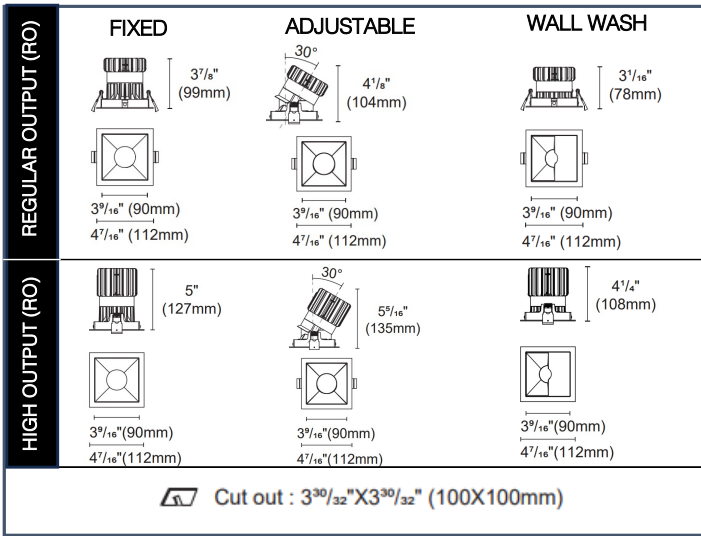


TECHNICAL SPECIFICATION

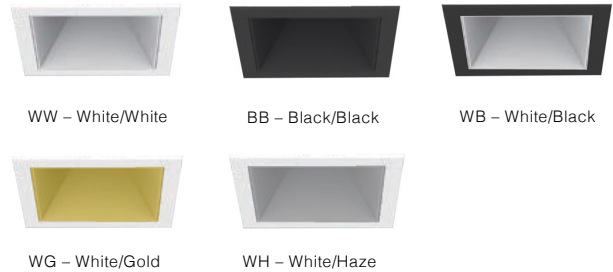
Minimum profile downlight with metal conduit and driver included for easy remodel or new construction installation.

SPECIFICATIONS

- Construction: Die-cast Aluminum
- Optics: PMMA Lens
- Power: RO 21W Input: 120-277 VAC, 50/60Hz
- Power: HO 30W Input: 120-277 VAC, 50/60Hz
- CCT: 2700K, 3000K, 3500K, 4000K
- CRI: +90
- LED Source: 1109lm-2263lm
- Beam Angle: 20°/30°/45°/55°/WW
- Adjustable fixture from 0° -30° Tilt – Rotation 0°-358°
- Dimming Options: DALI – TRIAC – 0-10V
- Light Source: Integrated LED Lens: TIR lens
- Rated Life: L80 >50000 Hours
- Finish: Electrostatically Powder Coated: White, Black, Hazel and Gold (RAL options available).
- Standards: ETL, cETL, Wet and Damp Location Listed
- Fixed and Wall wash – Wet Location Rated
- Adjustable - Damp Location Rated



FINISHES



OPTICS



CCT



1. Trim Type

- LUZ4-RO-SFT** = Round Reflector, Fixed, Trim (1639lm) **Wet**
- LUZ4-HO-SFT** = Round Reflector, Fixed, Trim (2307lm) **Wet**
- LUZ4-RO-SAT** = Round Reflector, Adjustable, Trim (1616lm) **Damp**
- LUZ4-HO-SAT** = Round Reflector, Adjustable, Trim (2250lm) **Damp**
- LUZ4-RO-SWWT** = Round Reflector, Wall Wash, Trim (1097lm) **Wet**
- LUZ4-HO-SWWT** = Round Reflector, Wall Wash, Trim (1500lm) **Wet**

2. Color Temperature

- 27** = 2700K
- 30** = 3000K
- 35** = 3500K
- 40** = 4000K

3. Optic

- NS** = 20°*
- N** = 30°*
- M** = 40°*
- W** = 55°*
- WW** = Wall Wash**

4. Finish

- WW** = White Trim / White Reflector
- BB** = Black Trim / Black Reflector
- WB** = White Trim / Black Reflector
- WH** = White Trim / Haze Reflector
- WG** = White Trim / Gold Reflector

5. Dimming

Please see Housing Ordering Sheet (page 2)

Accessories



* Not available for LUZ4-SWWT ** Only available optic for LUZ4-SWWT

Example: **LUZ4-RO-SFT-30-M-WW** = 4" Regular Output Square Fixed Downlight – 3000K – 35° Optic – White Trim / White Reflector


LUZ 4 – SQUARE

V2.8

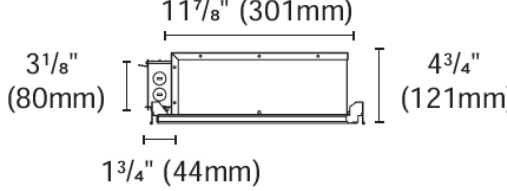
TRIAC

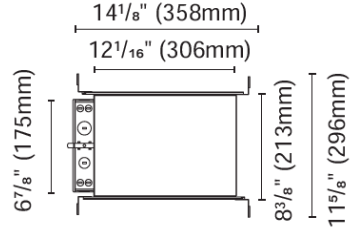
0-10V

For LUZ4 / RO



New Construction






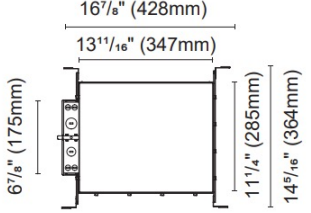
TRIAC

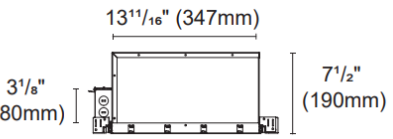
0-10V

For LUZ4 / HO



New Construction






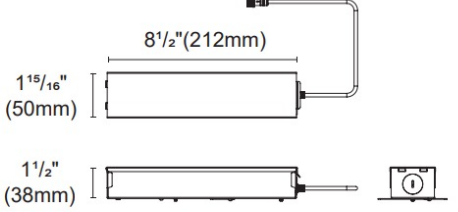
TRIAC

0-10V

For LUZ4 / RO



Remodel




Internal space dimension:
L 8 1/4" (209mm) X W 1 7/8" (48mm) X H 1 5/16" (33mm)

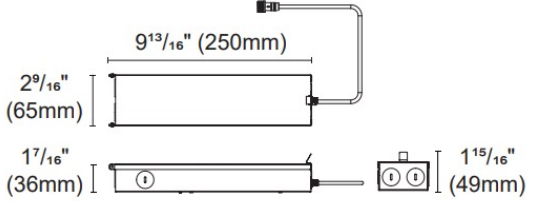
TRIAC

0-10V

For LUZ4 / HO





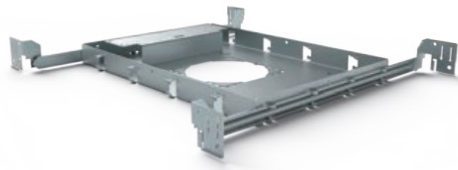
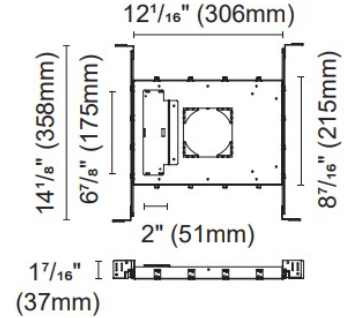
Remodel



Internal space dimension:
L 9 13/16" (250mm) X W 2 1/2" (64mm) X H 1 5/16" (34mm)

LUZ 4 – SQUARE

V2.8

	TRIAC	0-10V	NON-IC 
			
<p>New Construction Plate</p> <p>LZNCP-4</p>			
			

1. Trim Type

- LCNCIC-4*** = New Construction Housing – IC Rated
- LCNCIC-45**** = New Construction Housing – IC Rated
- LZREM-34*** = Remodel Housing (non IC)
- LZREM-45**** = Remodel Housing (non IC)

2. CONTROL

- TRIAC** = TRIAC (120V)
- 0-10V** = 0-10V (120-277V)
- DALI** = DALI (120-277V)

3. OPTIONS

- EMB** = Emergency Battery Holder / Battery Not Included



* To be used with Luz4 RO / ** To be used with Luz4 HO

Accessory

- LZNCP-4***** = New Construction Plate (non IC)

*To be installed with LZREM-34 or LZREM-45

Example: **LCNCIC-4-TRIAC** = New Construction Housing – Triac Dimming