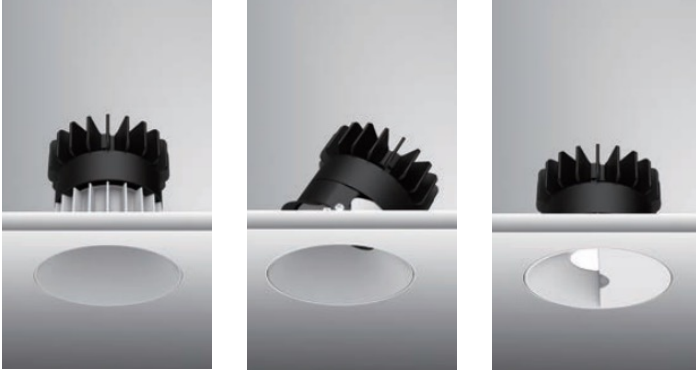


## LUZ 4 – ROUND TRIMLESS

V2.8



### TECHNICAL SPECIFICATION

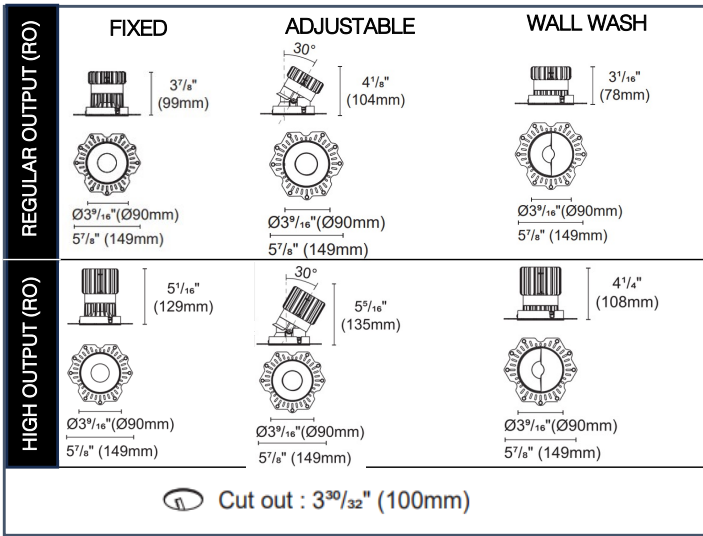
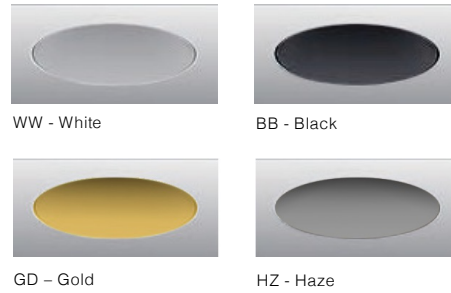
Minimum profile downlight with metal conduit and driver included for easy remodel or new construction installation.

### SPECIFICATIONS

- Construction: Die-cast Aluminum
- Optics: PMMA Lens
- Power: RO 21W Input: 120-277 VAC, 50/60Hz
- Power: HO 30W Input: 120-277 VAC, 50/60Hz
- CCT: 2700K, 3000K, 3500K, 4000K
- CRI: +90
- LED Source: 1109lm-2263lm
- Beam Angle: 20°/30°/45°/55°/WW
- Adjustable fixture from 0° -30° Tilt – Rotation 0°-358°
- Dimming Options: DALI – TRIAC – 0-10V
- Light Source: Integrated LED Lens: TIR lens
- Rated Life: L80 >50000 Hours
- Finish: Electrostatically Powder Coated: White, Black, Hazel and Gold (RAL options available).
- Standards: ETL, cETL, Wet and Damp Location Listed
- Fixed and Wall wash – Wet Location Rated
- Adjustable - Damp Location Rated



### FINISHES



### OPTICS



### CCT



### 1. Trim Type

- LUZ4-RO-RFT** = Round Reflector, Fixed, Trim (1697lm) **Wet**
- LUZ4-HO-RFTL** = Round Reflector, Fixed, Trim (2254lm) **Wet**
- LUZ4-RO-RATL** = Round Reflector, Adjustable (1702lm) **Damp**
- LUZ4-HO-RATL** = Round Reflector, Adjustable, Trim (2235lm) **Damp**
- LUZ4-RO-RWWTL** = Round Reflector, Wall wash, Trim (1109lm) **Wet**
- LUZ4-HO-RWWTL** = Round Reflector, Wall Wash, Trim (1497lm) **Wet**

\* Not available for LUZ4-RWWTL

\*\* Only available optic for LUZ4-RWWTL

### 2. Color Temperature

- 27** = 2700K
- 30** = 3000K
- 35** = 3500K
- 40** = 4000K

### 3. Optic

- NS** = 20°\*
- N** = 30°\*
- M** = 40°\*
- W** = 55°\*
- WW** = Wall Wash\*\*

### 4. Finish

- WW** = White Reflector
- BB** = Black Reflector
- HZ** = Haze Reflector
- GD** = Gold Reflector

### 5. Dimming

Please see Housing Ordering Sheet (page 2)




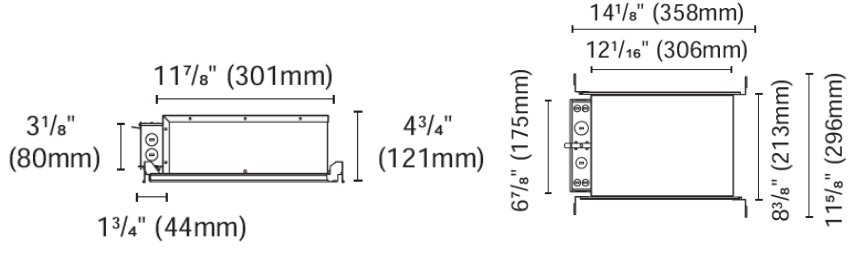

### Accessories




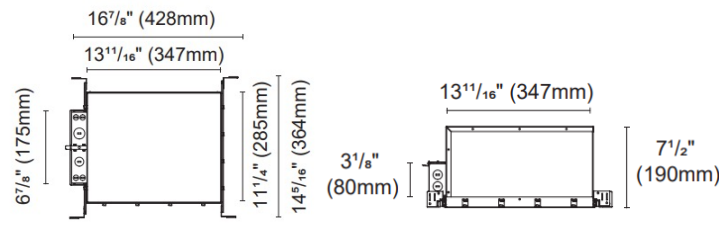





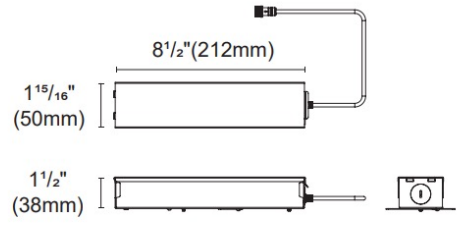
Example: **LUZ4-RO-RFTL-30-M-WW** = 4" Regular Output Round Trimless Downlight – 3000K – 40° Optic – White Trim / White Reflector

**LUZ 4 – ROUND TRIMLESS**




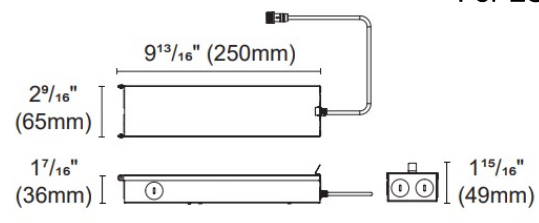
V2.8

	TRIAC	0-10V			<b>For LUZ4 / RO</b>
					
				<p>New Construction</p>	
<b>LZNCIC-4</b>					

	TRIAC	0-10V			<b>For LUZ4 / HO</b>
					
<p>New Construction</p>					
<b>LZNCIC-45</b>					

	TRIAC	0-10V			<b>For LUZ4 / RO</b>
					
<p>Remodel</p>					
<b>LZREM-34</b>					



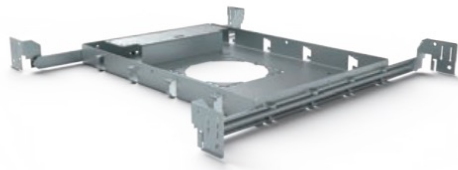
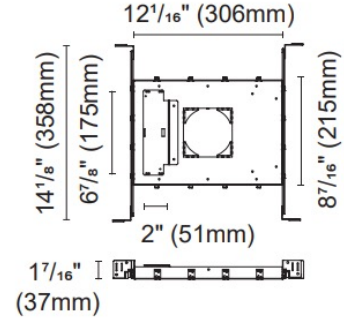
Internal space dimension:  
L 8 1/4" (209mm) X W 1 7/8" (48mm) X H 1 5/16" (33mm)

	TRIAC	0-10V			<b>For LUZ4 / HO</b>
					
<p>Remodel</p>					
<b>LZREM-45</b>					

Internal space dimension:  
L 9 13/16" (250mm) X W 2 1/2" (64mm) X H 1 5/16" (34mm)

**LUZ 4 – ROUND TRIMLESS**

V2.8

	TRIAC	0-10V	NON-IC 
			
New Construction Plate <b>LZNCP-4</b>			
			

**1. Trim Type**

- LCNCIC-4\*** = New Construction Housing – IC Rated
- LCNCIC-45\*\*** = New Construction Housing – IC Rated
- LZREM-34\*** = Remodel Housing (non IC)
- LZREM-45\*\*** = Remodel Housing (non IC)

**2. CONTROL**

- TRIAC** = TRIAC (120V)
- 0-10V** = 0-10V (120-277V)
- DALI** = DALI (120-277V)

**3. OPTIONS**

- EMB** = Emergency Battery Holder / Battery Not Included



\* To be used with Luz4 RO / \*\* To be used with Luz4 HO

**Accessory**

- LZNCP-4\*\*\*** = New Construction Plate (non IC)

\*To be installed with LZREM-34 or LZREM-45

Example: **LCNCIC-4-TRIAC** = New Construction Housing – Triac Dimming