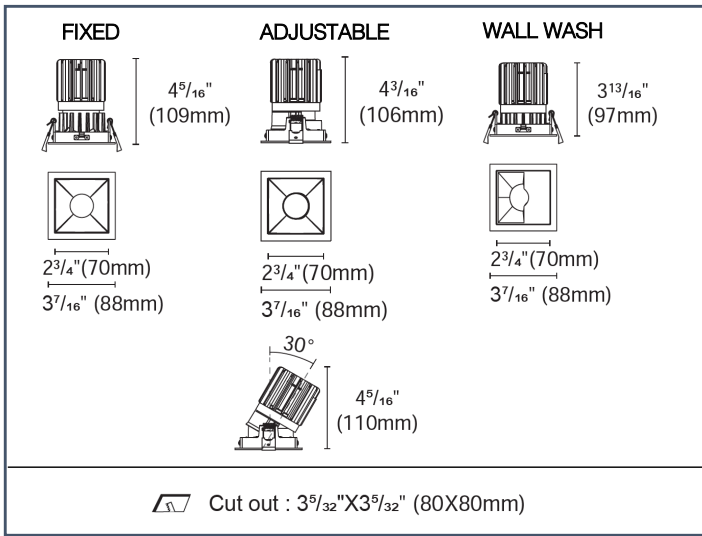


### TECHNICAL SPECIFICATION

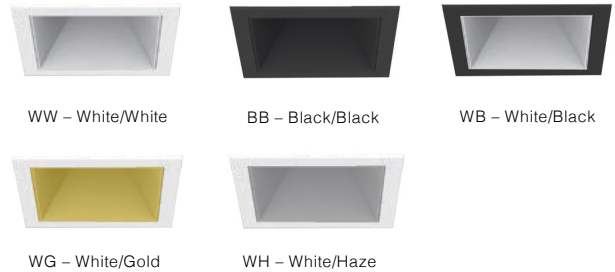
Minimum profile downlight with metal conduit and driver included for easy remodel or new construction installation.

### SPECIFICATIONS

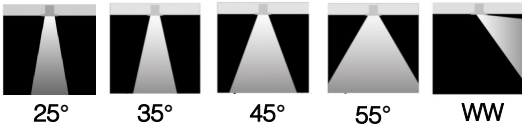
- Construction: Die-cast Aluminum
- Optics: PMMA Lens
- Power: 20W Input: 120-277 VAC, 50/60Hz
- CCT: 2700K, 3000K, 3500K, 4000K
- CRI: +90
- LED Source: 860lm-1362lm
- Beam Angle: 25°/35°/45°/55°/WW
- Adjustable fixture from 0° -30° Tilt – Rotation 0°-358°
- Dimming Options: DALI – TRIAC – 0-10V
- Light Source: Integrated LED Lens: TIR lens
- Rated Life: L80 >50000 Hours
- Finish: Electrostatically Powder Coated: White, Black, Hazel and Gold (RAL options available).
- Standards: ETL, cETL, Wet and Damp Location Listed
- Fixed and Wall wash – Wet Location Rated
- Adjustable - Damp Location Rated



### FINISHES



### OPTICS



### CCT



#### 1. Trim Type

- LUZ3-SFT** = Square Reflector, Fixed, Trim (1350lm) **Wet**
- LUZ3-SAT** = Square Reflector, Adjustable, Trim (1350lm) **Damp**
- LUZ3-SWWT** = Square Reflector, Wall Wash, Trim (860lm) **Wet**

#### 2. Color Temperature

- 27** = 2700K  
**30** = 3000K  
**35** = 3500K  
**40** = 4000K

#### 3. Optic

- NS** = 25°\*\*  
**N** = 35°\*\*  
**M** = 45°\*\*  
**W** = 55°\*\*  
**WW** = Wall Wash\*\*

#### 4. Finish

- WW** = White Trim / White Reflector  
**BB** = Black Trim / Black Reflector  
**WB** = White Trim / Black Reflector  
**WH** = White Trim / Haze Reflector  
**WG** = White Trim / Gold Reflector

#### 5. Dimming

Please see Housing Ordering Sheet (page 2)

#### Accessories



\* Not available for LUZ3-SWWT

\*\* Only available optic for LUZ3-SWWT


Example: **LUZ3-SFT-30-M-WW** = 3" Square Fixed Downlight – 3000K – 45° Optic – White Trim / White Reflector

## LUZ 3 – SQUARE

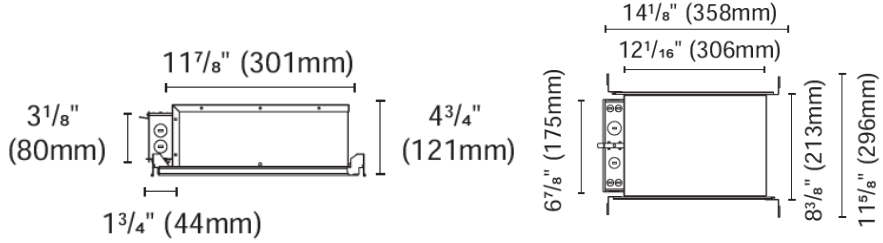
V2.8

TRIAC

0-10V



New Construction




$11\frac{7}{8}"$  (301mm)  
 $3\frac{1}{8}"$  (80mm)      $4\frac{3}{4}"$  (121mm)  
 $1\frac{3}{4}"$  (44mm)

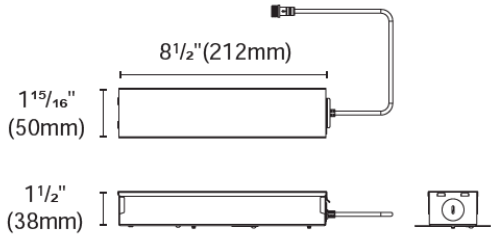
$14\frac{1}{8}"$  (358mm)  
 $12\frac{1}{16}"$  (306mm)  
 $6\frac{7}{8}"$  (175mm)      $8\frac{3}{8}"$  (213mm)      $11\frac{5}{8}"$  (296mm)

TRIAC

0-10V



Remodel Gearbox



$8\frac{1}{2}"$  (212mm)  
 $1\frac{5}{16}"$  (50mm)

$1\frac{1}{2}"$  (38mm)

Internal space dimension:  
 L  $8\frac{1}{4}"$  (209mm) X W  $1\frac{7}{8}"$  (48mm) X H  $1\frac{5}{16}"$  (33mm)

TRIAC

0-10V



New Construction Plate




$11\frac{5}{8}"$  (296mm)  
 $8\frac{7}{16}"$  (215mm)  
 $1\frac{7}{16}"$  (37mm)

$14\frac{1}{8}"$  (358mm)  
 $12\frac{1}{16}"$  (306mm)

1. Trim Type	2. CONTROL	3. OPTIONS
<b>LCNCIC-3</b> = New Construction Housing – IC Rated	<b>TRIAC</b> = TRIAC (120V) <b>0-10V</b> = 0-10V (120-277V) <b>DALI</b> = DALI (120-277V)	<b>EMB</b> = Emergency Battery Holder / Battery Not Included
<b>LZREM-3</b> = Remodel Housing (non IC)		

Accessory

**LZNCP-23\*** = New Construction Plate (non IC)



EMB – Emergency holder.

\*To be installed with LZREM-2

Example: **LCNCIC-3-TRIAC** = New Construction Housing – Triac Dimming