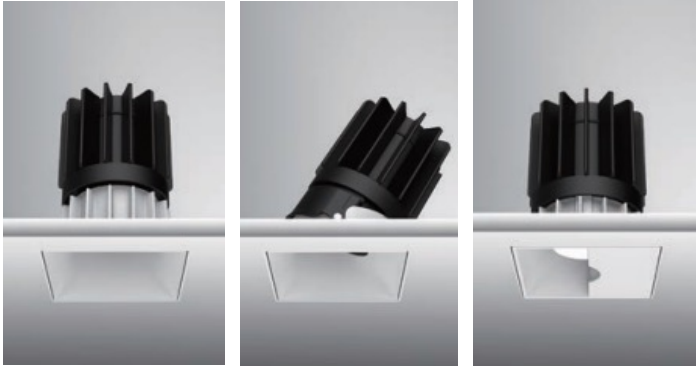


LUZ 3 – SQUARE TRIMLESS

V2.8

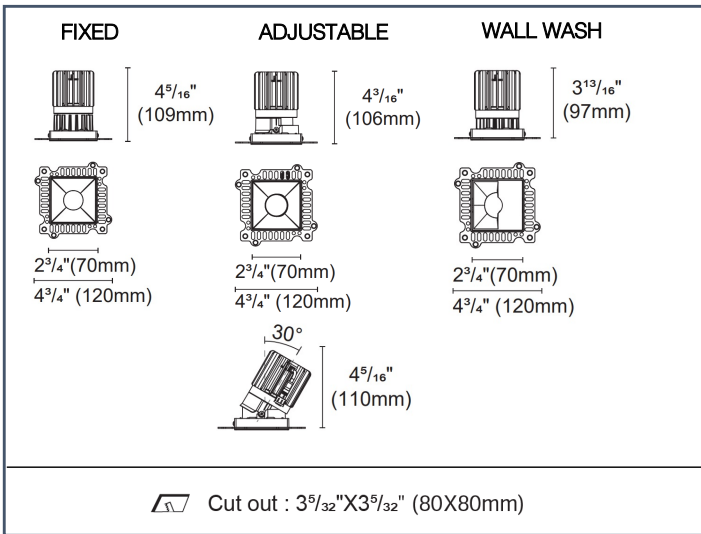


TECHNICAL SPECIFICATION

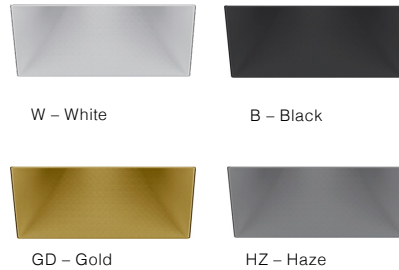
Minimum profile downlight with metal conduit and driver included for easy remodel or new construction installation.

SPECIFICATIONS

- Construction: Die-cast Aluminum
- Optics: PMMA Lens
- Power: 20W Input: 120-277 VAC, 50/60Hz
- CCT: 2700K, 3000K, 3500K, 4000K
- CRI: +90
- LED Source: 867lm-1374lm
- Beam Angle: 20°/40°/45° /55° /WW
- Adjustable fixture from 0° -30° Tilt – Rotation 0°-358°
- Dimming Options: DALI – TRIAC – 0-10V
- Light Source: Integrated LED Lens: TIR lens
- Rated Life: L80 >50000 Hours
- Finish: Electrostatically Powder Coated: White, Black, Hazel and Gold (RAL options available).
- Standards: ETL, cETL, Wet and Damp Location Listed
- Fixed and Wall wash – Wet Location Rated
- Adjustable - Damp Location Rated



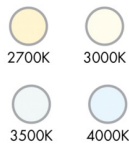
FINISHES



OPTICS



CCT



1. Trim Type

LUZ3-SFTL = Round Reflector, Fixed, Trim (1374lm) **Wet**

LUZ3-SATL = Round Reflector, Adjustable, Trim (1357lm) **Damp**

LUZ3-SWWTL = Round Reflector, Wall Wash, Trim (867lm) **Wet**

2. Color Temperature

27 = 2700K
30 = 3000K
35 = 3500K
40 = 4000K

3. Optic

N = 25°**
M = 35°**
W = 55°**
WW = Wall Wash**

4. Finish

W = White Reflector
B = Black Reflector
GD = Gold Reflector
HZ = Haze Reflector

5. Dimming

Please see Housing Ordering Sheet (page 2)

Accessories



* Not available for LUZ3-SWWTL

** Only available optic for LUZ3-SWWTL


Example: **LUZ3-SFTL-30-M-W** = 3" Square Trimless Fixed Downlight – 3000K – 40° Optic – White Reflector

LUZ 3 – SQUARE TRIMLESS

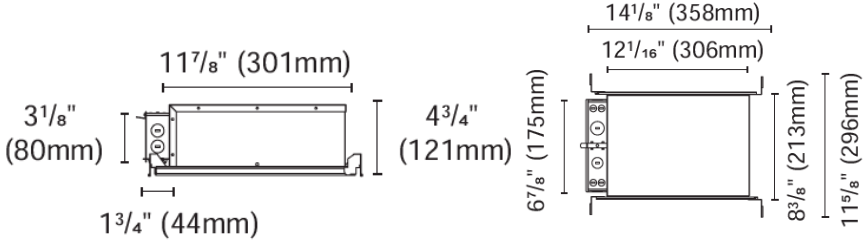
V2.8

TRIAC

0-10V




New Construction



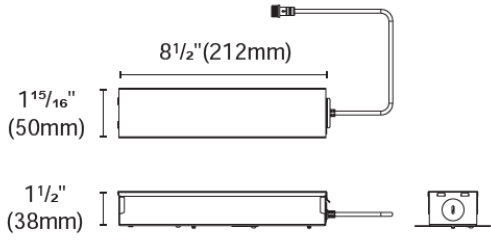
$11\frac{7}{8}$ " (301mm)
 $3\frac{1}{8}$ " (80mm)
 $1\frac{3}{4}$ " (44mm)
 $4\frac{3}{4}$ " (121mm)
 $14\frac{1}{8}$ " (358mm)
 $12\frac{1}{16}$ " (306mm)
 $6\frac{7}{8}$ " (175mm)
 $8\frac{3}{8}$ " (213mm)
 $11\frac{5}{8}$ " (296mm)

TRIAC

0-10V



Remodel Gearbox



$8\frac{1}{2}$ " (212mm)
 $1\frac{5}{16}$ " (50mm)
 $1\frac{1}{2}$ " (38mm)

Internal space dimension:
 L $8\frac{1}{4}$ " (209mm) X W $1\frac{7}{8}$ " (48mm) X H $1\frac{5}{16}$ " (33mm)

TRIAC

0-10V



New Construction Plate




$11\frac{5}{8}$ " (296mm)
 $8\frac{7}{16}$ " (215mm)
 $1\frac{7}{16}$ " (37mm)
 $14\frac{1}{8}$ " (358mm)
 $12\frac{1}{16}$ " (306mm)

1. Trim Type	2. CONTROL	3. OPTIONS
LCNCIC-3 = New Construction Housing – IC Rated	TRIAC = TRIAC (120V) 0-10V = 0-10V (120-277V) DALI = DALI (120-277V)	EMB = Emergency Battery Holder / Battery Not Included
LZREM-3 = Remodel Housing (non IC)		

Accessory

LZNCP-23* = New Construction Plate (non IC)



EMB – Emergency holder.

*To be installed with LZREM-2

Example: **LCNCIC-3-TRIAC** = New Construction Housing – Triac Dimming