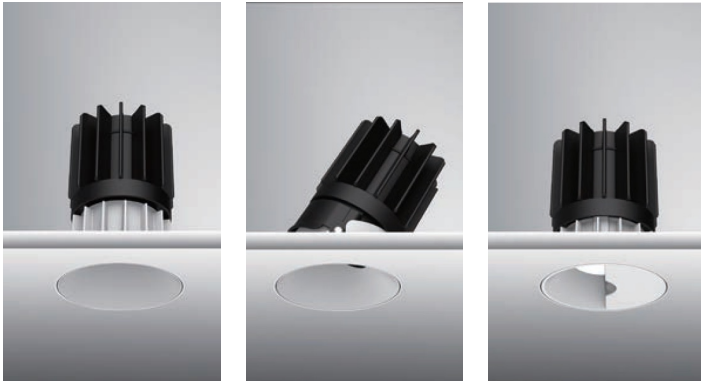


LUZ 3 – ROUND TRIMLESS

V2.8

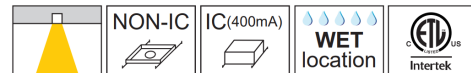
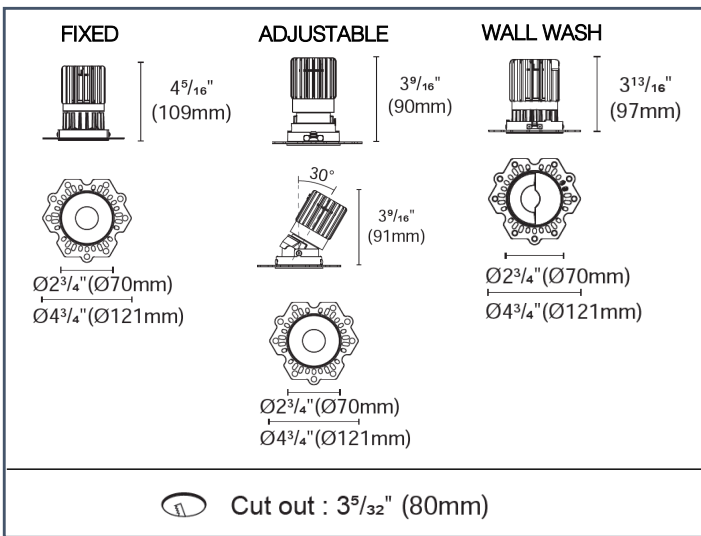


TECHNICAL SPECIFICATION

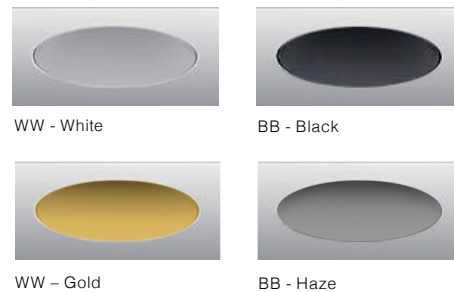
Minimum profile downlight with metal conduit and driver included for easy remodel or new construction installation.

SPECIFICATIONS

- Construction: Die-cast Aluminum
- Optics: PMMA Lens
- Power: 20W Input: 120-277 VAC, 50/60Hz
- CCT: 2700K, 3000K, 3500K, 4000K
- CRI: +90
- LED Source: 853lm-1362lm
- Beam Angle: 25°/35°/45° /55° /WW
- Adjustable fixture from 0° -30° Tilt – Rotation 0°-358°
- Dimming Options: DALI – TRIAC – 0-10V
- Light Source: Integrated LED Lens: TIR lens
- Rated Life: L80 >50000 Hours
- Finish: Electrostatically Powder Coated: White, Black, Hazel and Gold (RAL options available).
- Standards: ETL, cETL, Wet and Damp Location Listed
- Fixed and Wall wash – Wet Location Rated
- Adjustable - Damp Location Rated



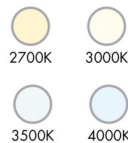
FINISHES



OPTICS



CCT



1. Trim Type

- LUZ3-RFTL** = Round Reflector, Fixed, Trimless (1362lm) **Wet**
- LUZ3-RATL** = Round Reflector, Adjustable, Trimless (1350lm) **Damp**
- LUZ3-RWWTL** = Round Reflector, Wall Wash, Trimless (853lm) **Wet**

2. Color Temperature

- 27** = 2700K
30 = 3000K
35 = 3500K
40 = 4000K

3. Optic

- NS** = 25°*
N = 35°*
M = 45°*
W = 55°*
WW = Wall Wash**

4. Finish

- WW** = White Reflector
BB = Black Reflector
HZ = Haze Reflector
GD = Gold Reflector

5. Dimming

Please see Housing Ordering Sheet

Accessories



* Not available for LUZ3-RWWTL

** Only available optic for LUZ3-RWWTL


Example: **LUZ3-RFTL-30-M-WW** = 3" Round Trimless Fixed Downlight – 3000K – 45° Optic – White Reflector

LUZ 3 – ROUND TRIMLESS

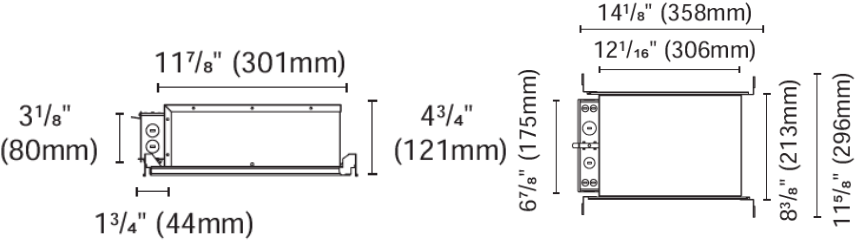
V2.8

TRIAC

0-10V




New Construction

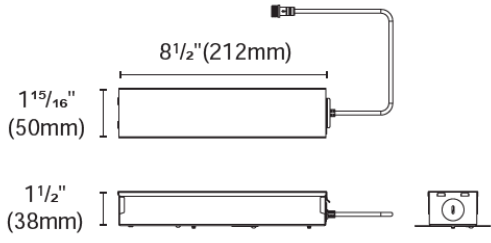


TRIAC

0-10V



Remodel Gearbox



Internal space dimension:
L 8 1/4" (209mm) X W 1 7/8" (48mm) X H 1 5/16" (33mm)

TRIAC

0-10V




New Construction Plate



1. Trim Type	2. CONTROL	3. OPTIONS
LCNCIC-3 = New Construction Housing – IC Rated	TRIAC = TRIAC (120V) 0-10V = 0-10V (120-277V) DALI = DALI (120-277V)	EMB = EMERGENCY BATTERY / Comes with holder
LZREM-3 = Remodel Housing (non IC)		

Accessory

LZNCP-23* = New Construction Plate (non IC)



EMB – Emergency Driver comes with holder

*To be installed with LZREM-2

Example: **LCNCIC-3-TRIAC** = New Construction Housing – Triac Dimming