

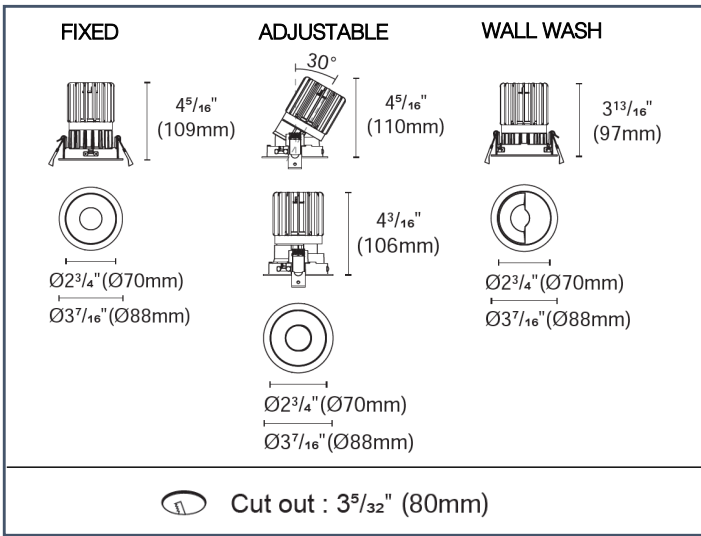


TECHNICAL SPECIFICATION

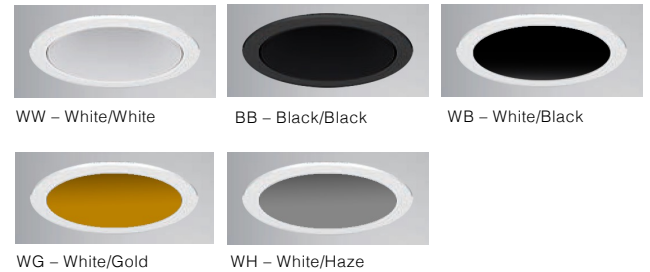
Minimum profile downlight with metal conduit and driver included for easy remodel or new construction installation.

SPECIFICATIONS

- Construction: Die-cast Aluminum
- Optics: PMMA Lens
- Power: 20W Input: 120-277 VAC, 50/60Hz
- CCT: 2700K, 3000K, 3500K, 4000K
- CRI: +90
- LED Source: 860lm-1362lm
- Beam Angle: 25°/35°/45°/ 55°/WW
- Adjustable fixture from 0° -30° Tilt – Rotation 0°-358°
- Dimming Options: DALI – TRIAC – 0-10V
- Light Source: Integrated LED Lens: TIR lens
- Rated Life: L80 >50000 Hours
- Finish: Electrostatically Powder Coated: White, Black, Hazel and Gold (RAL options available).
- Standards: ETL, cETL, Wet and Damp Location Listed
- Fixed and Wall Wash – Wet Location Rated
- Adjustable - Damp Location Rated



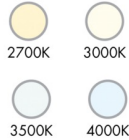
FINISHES



OPTICS



CCT



1. Trim Type

LUZ3-RFT = Round Reflector, Fixed, (1362lm) **Wet**

LUZ3-RAT = Round Reflector, Adjustable (1350lm) **Damp**

LUZ3-RWWT = Round Reflector, Wall Wash (860lm) **Wet**

2. Color Temperature

27 = 2700K
30 = 3000K
35 = 3500K
40 = 4000K

3. Optic

NS = 25° *
N = 35° *
M = 45° *
W = 55° *
WW = Wall Wash **

4. Finish

WW = White Trim / White Reflector
BB = Black Trim / Black Reflector
WH = White Trim / Haze Reflector
WG = White Trim / Gold Reflector

5. Dimming

Please see **Housing Ordering Sheet (page 2)**

Accessories



* Not available for LUZ3-RWWT

** Only available optic for LUZ3-RWWT

Example: **LUZ3-RFT-30-M-WW** = 3" Round Fixed Downlight – 3000K – 45° Optic – White Trim/ White Reflector


LUZ 3 – ROUND

V2.8

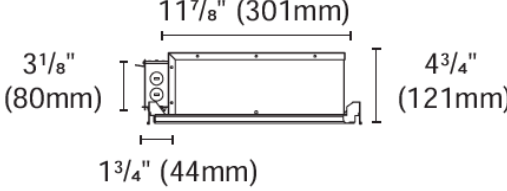
TRIAC

0-10V

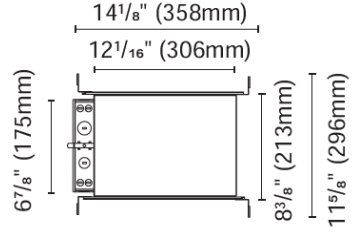
IC



New Construction



117/8" (301mm)
 31/8" (80mm)
 43/4" (121mm)
 13/4" (44mm)




141/8" (358mm)
 121/16" (306mm)
 67/8" (175mm)
 83/8" (213mm)
 115/8" (296mm)

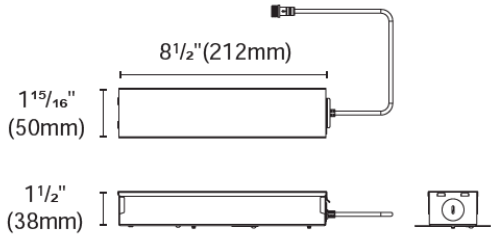
TRIAC

0-10V

NON-IC



Remodel Gearbox



81/2" (212mm)
 115/16" (50mm)
 11/2" (38mm)

Internal space dimension:
 L 81/4" (209mm) X W 17/8" (48mm) X H 15/16" (33mm)

TRIAC

0-10V

NON-IC



New Construction Plate



115/8" (296mm)
 87/16" (215mm)
 141/8" (358mm)
 121/16" (306mm)
 17/16" (37mm)


1. Trim Type	2. CONTROL	3. OPTIONS
LCNCIC-3 = New Construction Housing – IC Rated	TRIAC = TRIAC (120V) 0-10V = 0-10V (120-277V) DALI = DALI (120-277V)	EMB = Emergency Battery Holder / Battery Not Included
LZREM-3 = Remodel Housing (non IC)		

Accessory

LZNCP-23* = New Construction Plate (non IC)

*To be installed with LZREM-2

Example: **LCNCIC-3-TRIAC** = New Construction Housing – Triac Dimming



EMB – Emergency holder.