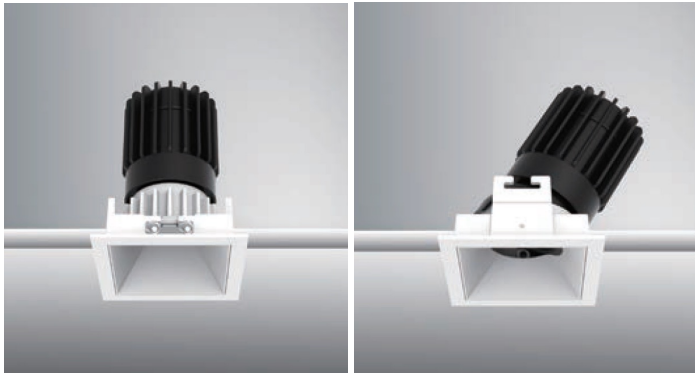


## LUZ 2 – SQUARE

V2.8



### TECHNICAL SPECIFICATION

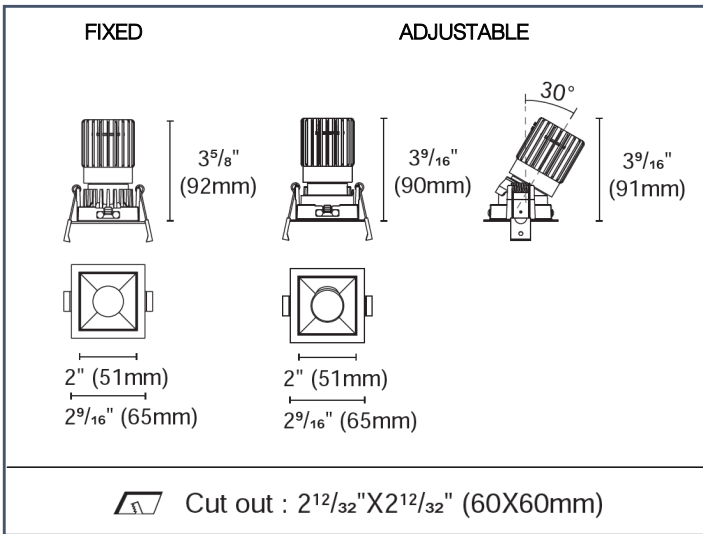
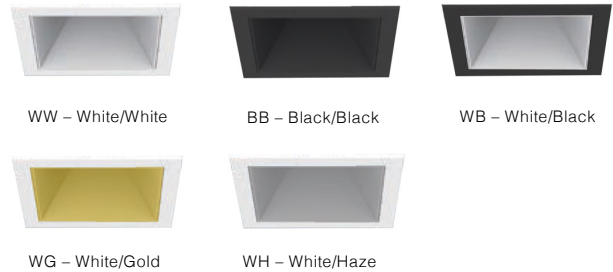
Minimum profile downlight with metal conduit and driver included for easy remodel or new construction installation.

### SPECIFICATIONS

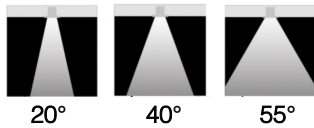
- Construction: Die-cast Aluminum
- Optics: PMMA Lens
- Power: 12W Input: 120-277 VAC, 50/60Hz
- CCT: 2700K, 3000K, 4000K
- CRI: +90
- LED Source: 750lm
- Beam Angle: 20°/40°/55°
- Adjustable fixture from 0° -30° Tilt – Rotation 0°-358°
- Dimming Options: DALI – TRIAC – 0-10V
- Light Source: Integrated LED Lens: TIR lens
- Rated Life: L80 >50000 Hours
- Finish: Electrostatically Powder Coated: White, Black, Haze and Gold (RAL options available).
- Standards: ETL, cETL, Wet and Damp Location Listed
- Fixed – Wet Location Rated
- Adjustable - Damp Location Rated



### FINISHES



### OPTICS



### CCT



#### 1. Trim Type

**LUZ2-SFT** = Square Reflector Fixed (750lm) **Wet**

**LUZ2-SAT** = Square Reflector Adjustable (750lm) **Damp**

#### 2. Color Temperature

**27** = 2700K  
**30** = 3000K  
**35** = 3500K  
**40** = 4000K

#### 3. Optic

**N** = 20°  
**M** = 40°  
**W** = 55°

#### 4. Finish

**WW** = White Trim / White Reflector  
**BB** = Black Trim / Black Reflector  
**WB** = White Trim / Black Reflector  
**WH** = White Trim / Haze Reflector  
**WG** = White Trim / Gold Reflector

#### 5. Dimming

Please see Housing Ordering Sheet (page 2)

#### Accessories



Example: **LUZ2-SFT-30-M-WW** = 2" Square Fixed Downlight – 3000K – 40° Optic – White Trim - White Reflector

**LUZ 2 – SQUARE**

V2.8

TRIAC

0-10V

3 1/8" (80mm)

11 7/8" (301mm)

4 3/4" (121mm)

1 3/4" (44mm)

14 1/8" (358mm)

12 1/16" (306mm)

6 7/8" (175mm)

8 3/8" (213mm)

11 5/8" (296mm)

New Construction

**LZNCIC-2**

TRIAC

0-10V

8 1/2" (212mm)

1 15/16" (50mm)

1 1/2" (38mm)

Remodel Gearbox

Internal space dimension:  
L 8 1/4" (209mm) X W 1 7/8" (48mm) X H 1 5/16" (33mm)

**LZREM-2**

TRIAC

0-10V

1 7/16" (37mm)

11 5/8" (296mm)

8 7/16" (215mm)

14 1/8" (358mm)

12 1/16" (306mm)

New Construction Plate

**LZNCP-23**

1. Trim Type	2. CONTROL	3. OPTIONS
<p><b>LCNCIC-2</b> = New Construction Housing – IC Rated</p> <p><b>LZREM-2</b> = Remodel Housing (non IC)</p>	<p><b>TRIAC</b> = TRIAC (120V)</p> <p><b>0-10V</b> = 0-10V (120-277V)</p> <p><b>DALI</b> = DALI (120-277V)</p>	<p><b>EMB</b> = Emergency Battery Holder / Battery Not Included</p>
<p>Accessory</p> <p><b>LZNCP-23*</b> = New Construction Plate (non IC)</p>		
<p>Example: <b>LCNCIC-2-TRIAC</b> = New Construction Housing – Triac Dimming</p>		



\*To be installed with LZREM-2