

LUZ 2 – ROUND

V2.8

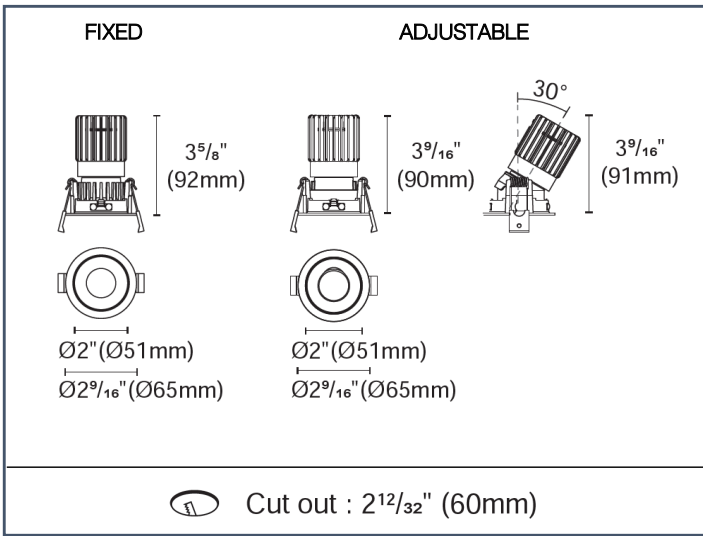


TECHNICAL SPECIFICATION

Minimum profile downlight with metal conduit and driver included for easy remodel or new construction installation.

SPECIFICATIONS

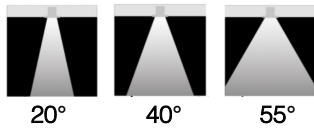
- Construction: Die-cast Aluminum
- Optics: PMMA Lens
- Power: 12W Input: 120-277 VAC, 50/60Hz
- CCT: 2700K, 3000K, 4000K
- CRI: +90
- LED Source: 766lm-767lm
- Beam Angle: 20°/40°/55°
- Adjustable fixture from 0° -30° Tilt – Rotation 0°-358°
- Dimming Options: DALI – TRIAC – 0-10V
- Light Source: Integrated LED Lens: TIR lens
- Rated Life: L80 >50000 Hours
- Finish: Electrostatically Powder Coated: White, Black, Haze and Gold (RAL options available).
- Standards: ETL, cETL, Wet and Damp Location Listed
- Fixed – Wet Location Rated
- Adjustable - Damp Location Rated



FINISHES



OPTICS



CCT



1. Trim Type

LUZ2-RFT = Round Reflector Fixed (766lm) **Wet**

LUZ2-RAT = Round Reflector Adjustable (767lm) **Damp**

2. Color Temperature

27 = 2700K

30 = 3000K

35 = 3500K

40 = 4000K

3. Optic

N = 20°

M = 40°

W = 55°

4. Finish

WW = White Trim / White Reflector

BB = Black Trim / Black Reflector

WB = White Trim / Black Reflector

WH = White Trim / Haze Reflector

WG = White Trim / Gold Reflector

5. Dimming

Please see **Housing Ordering Sheet** (page 2)

Accessories




Example: **LUZ2-RFT-30-M-WW** = 2" Round Fixed Downlight – 3000K – 40° Optic – White Trim - White Reflector

LUZ 2 – ROUND

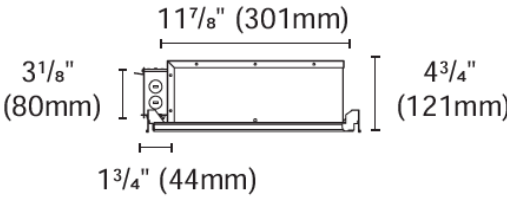
V2.8

TRIAC

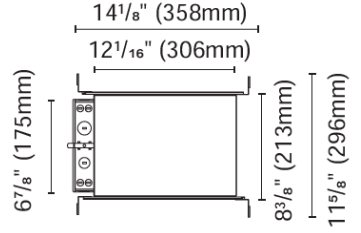
0-10V



New Construction



11⁷/₈" (301mm)
3¹/₈" (80mm)
4³/₄" (121mm)
1³/₄" (44mm)



14¹/₈" (358mm)
12¹/₁₆" (306mm)
6⁷/₈" (175mm)
8³/₈" (213mm)
11⁵/₈" (296mm)

TRIAC

0-10V



Remodel Gearbox



8¹/₂" (212mm)
1¹⁵/₁₆" (50mm)
1¹/₂" (38mm)

Internal space dimension:
L 8¹/₄" (209mm) X W 1⁷/₈" (48mm) X H 1⁵/₁₆" (33mm)

TRIAC

0-10V



New Construction Plate




11⁵/₈" (296mm)
8⁷/₁₆" (215mm)
14¹/₈" (358mm)
12¹/₁₆" (306mm)
1⁷/₁₆" (37mm)

1. Trim Type	2. CONTROL	3. OPTIONS
LCNCIC-2 = New Construction Housing – IC Rated	TRIAC = TRIAC (120V) 0-10V = 0-10V (120-277V) DALI = DALI (120-277V)	EMB = Emergency Battery Holder / Battery Not Included
LZREM-2 = Remodel Housing (non IC)		

Accessory

LZNCP-23* = New Construction Plate (non IC)



EMB – Emergency holder.

*To be installed with LZREM-2

Example: **LCNCIC-2-TRIAC** = New Construction Housing – Triac Dimming