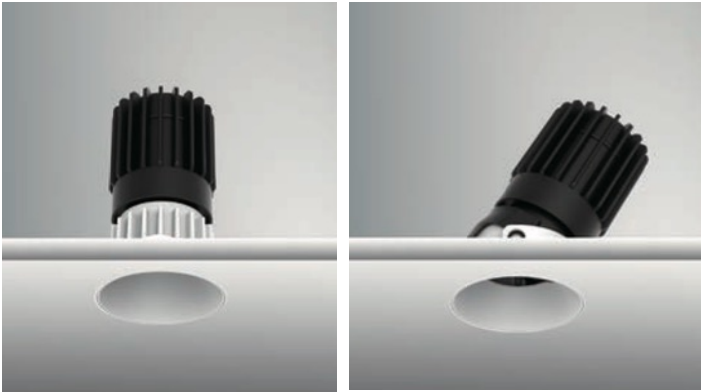


## LUZ 2 – ROUND TRIMLESS

V2.8



### TECHNICAL SPECIFICATION

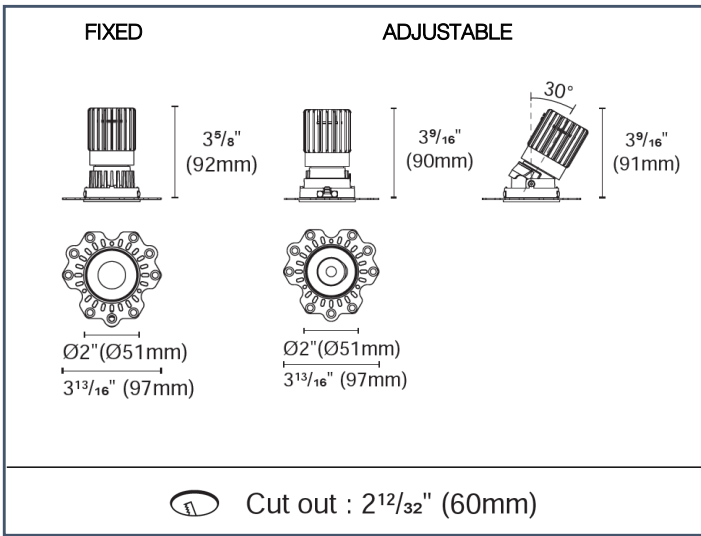
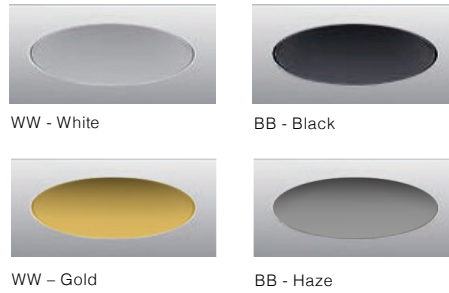
Minimum profile downlight with metal conduit and driver included for easy remodel or new construction installation.

### SPECIFICATIONS

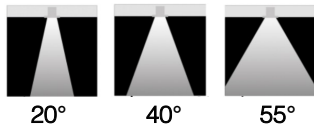
- Construction: Die-cast Aluminum
- Optics: PMMA Lens
- Power: 12W Input: 120-277 VAC, 50/60Hz
- CCT: 2700K, 3000K, 4000K
- CRI: +90
- LED Source: 750lm
- Beam Angle: 20°/40°/55°
- Adjustable fixture from 0° -30° Tilt – Rotation 0°-358°
- Dimming Options: DALI – TRIAC – 0-10V
- Light Source: Integrated LED Lens: TIR lens
- Rated Life: L80 >50000 Hours
- Finish: Electrostatically Powder Coated: White, Black, Haze and Gold (RAL options available).
- Standards: ETL, cETL, Wet and Damp Location Listed
- Fixed – Wet Location Rated
- Adjustable - Damp Location Rated



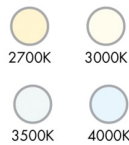
### FINISHES



### OPTICS



### CCT



#### 1. Trim Type

**LUZ2-RFTL** = Round Reflector, Fixed, Trimless (750lm) **Wet**

**LUZ2-RATL** = Round Reflector, Adjustable, Trimless (750lm) **Damp**

#### 2. Color Temperature

**27** = 2700K  
**30** = 3000K  
**35** = 3500K  
**40** = 4000K

#### 3. Optic

**N** = 20°  
**M** = 40°  
**W** = 55°

#### 4. Finish

**WW** = White Reflector  
**BB** = Black Reflector  
**HZ** = Haze Reflector  
**GD** = Gold Reflector

#### 5. Dimming

Please see Housing Ordering Sheet (page 2)

#### Accessories



Example: **LUZ2-RFTL-30-M-WW** = 2" Round Fixed Trimless Downlight – 3000K – 35° Optic – White Reflector

## LUZ 2 – ROUND TRIMLESS

V2.8

TRIAC

0-10V

New Construction

$11\frac{7}{8}"$  (301mm)  
 $3\frac{1}{8}"$  (80mm)  
 $4\frac{3}{4}"$  (121mm)  
 $1\frac{3}{4}"$  (44mm)

$14\frac{1}{8}"$  (358mm)  
 $12\frac{1}{16}"$  (306mm)  
 $6\frac{7}{8}"$  (175mm)  
 $8\frac{3}{8}"$  (213mm)  
 $11\frac{5}{8}"$  (296mm)

TRIAC

0-10V

Remodel Gearbox

$8\frac{1}{2}"$  (212mm)  
 $1\frac{15}{16}"$  (50mm)  
 $1\frac{1}{2}"$  (38mm)

Internal space dimension:  
L  $8\frac{1}{4}"$  (209mm) X W  $1\frac{7}{8}"$  (48mm) X H  $1\frac{5}{16}"$  (33mm)

TRIAC

0-10V

New Construction Plate

$11\frac{5}{8}"$  (296mm)  
 $8\frac{7}{16}"$  (215mm)  
 $14\frac{1}{8}"$  (358mm)  
 $12\frac{1}{16}"$  (306mm)  
 $1\frac{7}{16}"$  (37mm)

1. Trim Type	2. CONTROL	3. OPTIONS
<b>LCNCIC-2</b> = New Construction Housing – IC Rated	<b>TRIAC</b> = TRIAC (120V) <b>0-10V</b> = 0-10V (120-277V) <b>DALI</b> = DALI (120-277V)	<b>EMB</b> = Emergency Battery Holder / Battery Not Included
<b>LZREM-2</b> = Remodel Housing (non IC)		

Accessory

**LZNCP-23\*** = New Construction Plate (non IC)

EMB – Emergency holder.

\*To be installed with LZREM-2

Example: **LCNCIC-2-TRIAC** = New Construction Housing – Triac Dimming