

## LINEA- BALA 1

V2.8



### TECHNICAL SPECIFICATION

A powerful small spot that clips mechanically into LINEA 1 system, Can be mounted on ceiling or wall vertically or horizontally

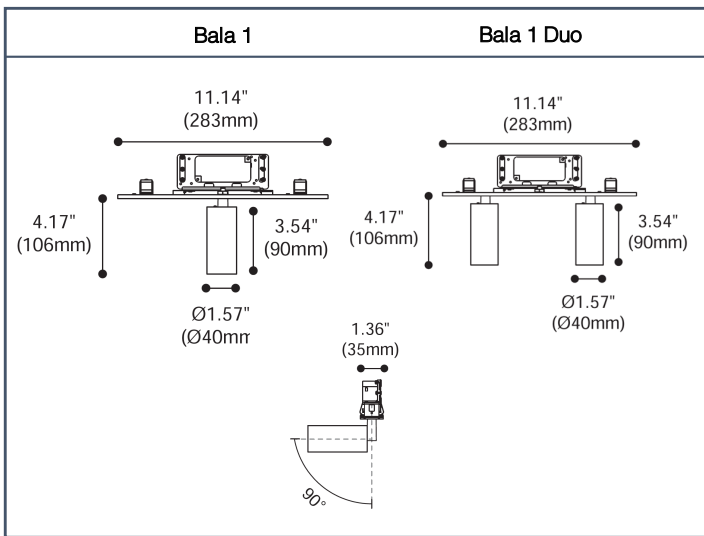
### SPECIFICATIONS

- Construction: Die-cast Aluminum
- Optics: PMMA Lens
- Power: 10W/17W (Duo)
- Input: 120 VAC
- CCT: 2700K, 3000K, 3500K, 4000K
- CRI: 90+
- LED Source: 567lm - 1147lm (Duo)
- Beam Angle: 20°/25°/36°
- Dimming Options: 0-10V
- Colors: Black/ White
- Reflector: Black/ White/ Copper
- Standards: ETL, cETL, Damp Location Listed

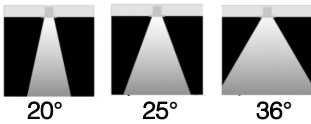


### FINISHES

- Fixture:  Black  White
- Reflector:  Black  White  Copper



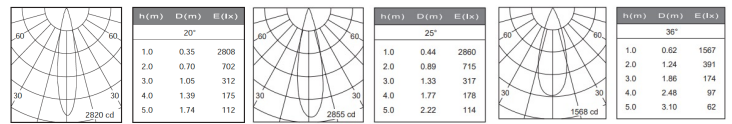
### OPTICS



### CCT



### DISTRIBUTION



#### 1. Trim Type

- BLA1 =** Bala 1 Spot, Adjustable (567lm)
- BLA1-DUO =** Bala 1 Duo Spot, Adjustable (1147lm)

#### 2. Color Temperature

- 27 =** 2700K  
**30 =** 3000K  
**35 =** 3500K  
**40 =** 4000K

#### 3. Optic

- NS =** 20°  
**S =** 25°  
**M =** 36°

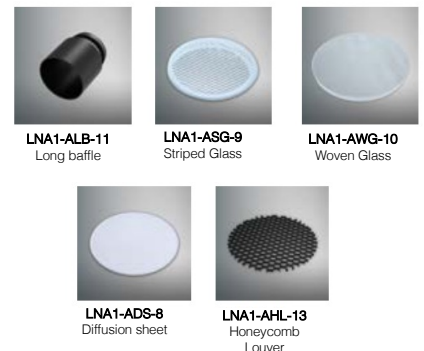
#### 4. Finish

- WW =** White Body / White Reflector  
**BB =** Black Body / Black Reflector  
**WC =** White Body / Copper Reflector  
**BC =** Black Body / Copper Reflector

#### 5. Dimming

- 0-10V =** BLANK

#### Accessories



Example: **BLA1-30-NS-BB** = BALA 1 Spot - 3000K – 20° Optic – Black Body/ Black Reflector – 0-10V Dimming