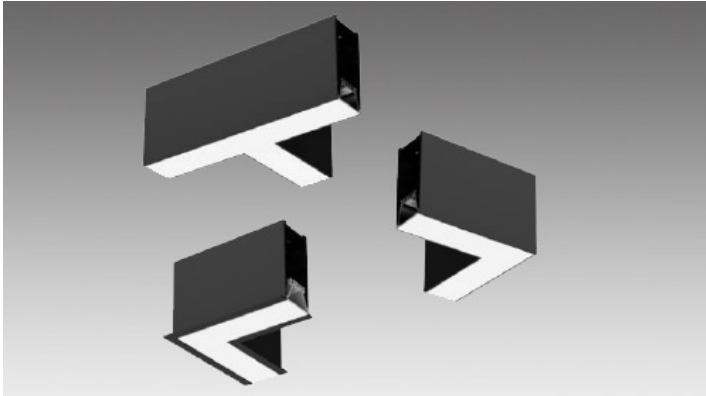


## LINEA 1 – RECTA 1 T&L

V2.8

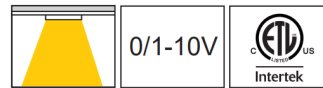


### TECHNICAL SPECIFICATION

Minimum profile downlight with metal conduit and driver included for easy remodel or new construction installation.

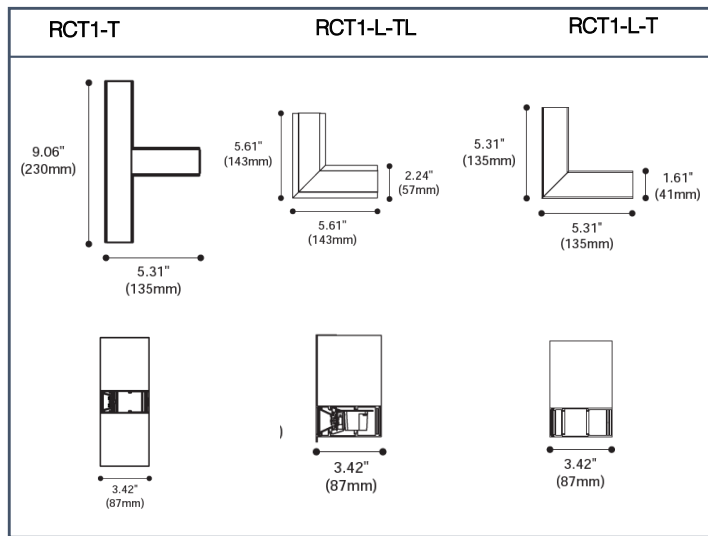
### SPECIFICATIONS

- Construction: Die-cast Aluminum
- Optics: PMMA Lens
- Power: 12W/22W Input: 120VAC
- CCT: 3000K
- CRI: 90+
- LED Source: 344lm-523lm
- Beam Angle: 100°
- Dimming Options: 0-10V
- Colors: Black/ White
- Standards: ETL, cETL, Damp Location Listed



### FINISHES

- Fixture:  Black  White

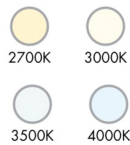


### OPTICS

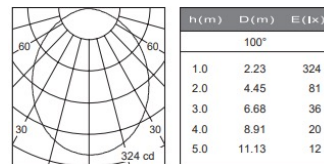


100°

### CCT



### DISTRIBUTION



#### 1. Trim Type

- RCT1-T** = Recta 1 Trimless (523lm)  
**RCT1-L-TL** = Recta 1 L Trimless (344lm)  
**RCT1-L-T** = Recta 1 L (344lm)

#### 2. Color Temperature

- 27** = 2700K  
**30** = 3000K  
**35** = 3500K  
**40** = 4000K

#### 3. Optic

- NS** = 100°

#### 4. Finish

- W** = White Body  
**B** = Black Body

#### 5. Dimming

- 0-10V** = BLANK



Example: **RCT1-T-30-NS-B** = RECTA 1 T - 3000K – 100° Optic – Black Body – 0-10V Dimming