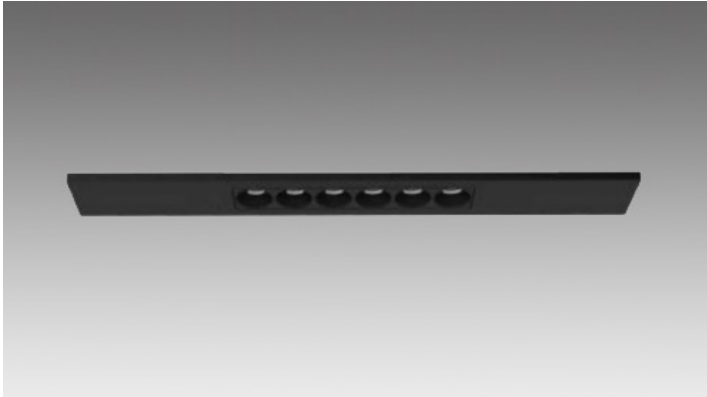


LINEA 1 – JULI 1

V2.8

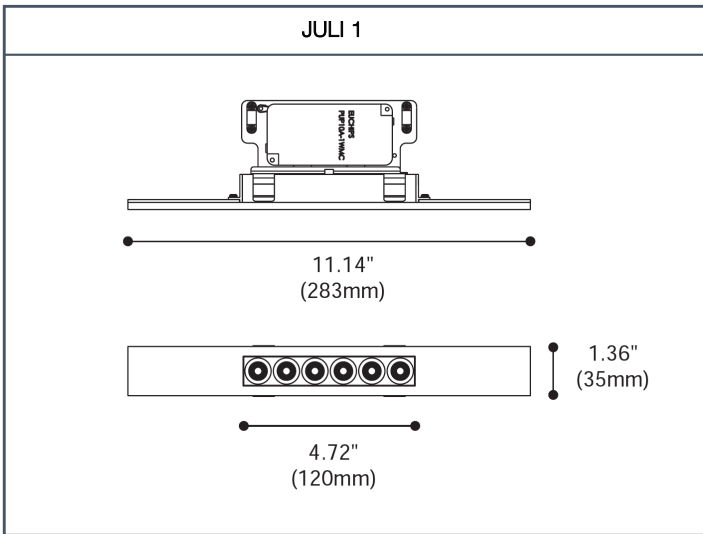
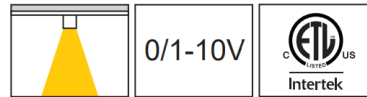


TECHNICAL SPECIFICATION

Minimum profile downlight with metal conduit and driver included for easy remodel or new construction installation.

SPECIFICATIONS

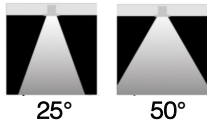
- Construction: Die-cast Aluminum
- Optics: PMMA Lens
- Power: 8W Input: 120VAC
- CCT: 3000K
- CRI: 90+
- LED Source: 463lm
- Beam Angle: 25°/ 50° (Reflector)
- Dimming Options: 0-10V
- Colors: Black/ White
- Baffle: Black/ White/ Chrome/ Gold
- Standards: ETL, cETL, Damp Location Listed



FINISHES

- Fixture: Black White
- Reflector: Black White Chrome Gold

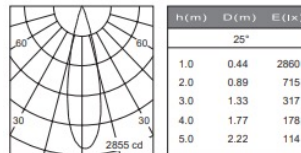
OPTICS



CCT



DISTRIBUTION



1. Trim Type

JUL1 = Juli 1, Fixed (567lm)

2. Color Temperature

27 = 2700K
30 = 3000K
35 = 3500K
40 = 4000K

3. Optic

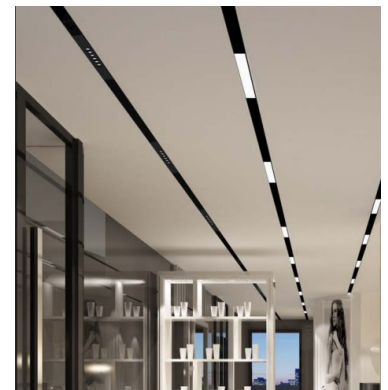
NS = 25°
S = 50°

4. Finish

WW = White Body / White Reflector
BB = Black Body / Black Reflector
WC = White Body / Chrome Reflector
BG = Black Body / Gold Reflector

5. Dimming

0-10V = BLANK



Example: **JUL1-30-NS-BB** = JULI 1 Fixed - 3000K – 25° Optic – Black Body – 0-10V Dimming