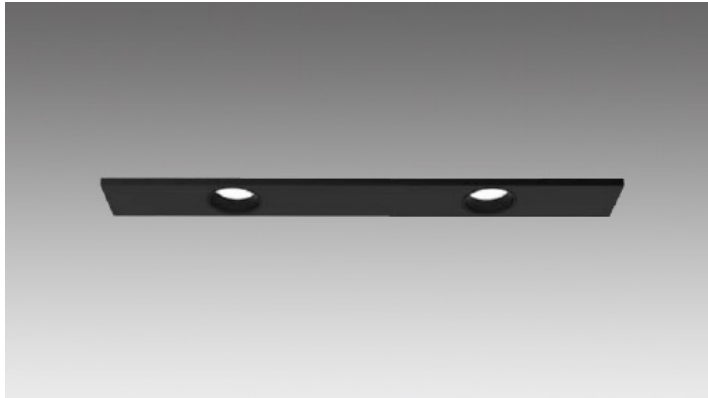


LINEA 1 – DOS 1

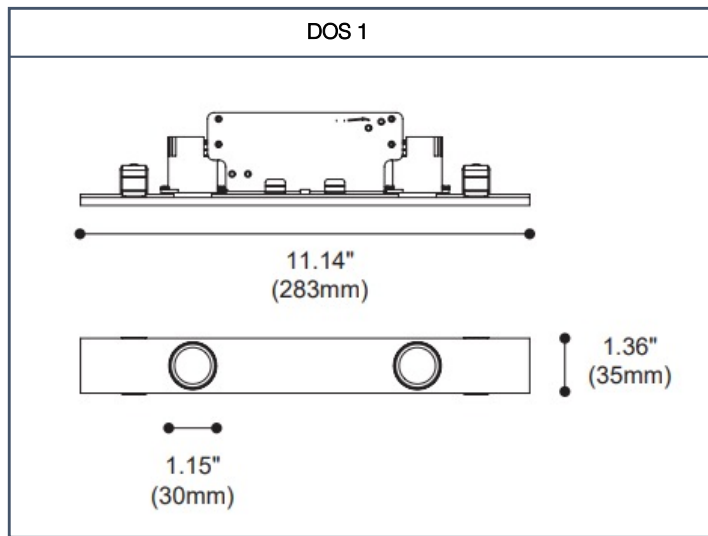
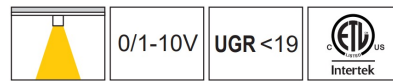


TECHNICAL SPECIFICATION

Minimum profile downlight with metal conduit and driver included for easy remodel or new construction installation.

SPECIFICATIONS

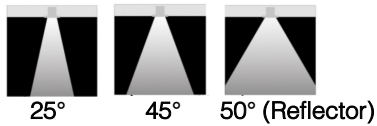
- Construction: Die-cast Aluminum
- Optics: PMMA Lens
- Power: 29W Input: 120VAC
- CCT: 3000K
- CRI: 90+
- LED Source: 768lm
- Beam Angle: 25°/ 45°/ 50° (Reflector)
- Dimming Options: 0-10V
- Colors: Black/ White
- Baffle: Black/ White
- Standards: ETL, cETL, Damp Location Listed



FINISHES

- Fixture: Black White
- Reflector: Black White

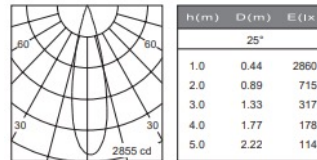
OPTICS



CCT



DISTRIBUTION



1. Trim Type

DOS1 = Dos 1, fixed (768lm)

2. Color Temperature

27 = 2700K
30 = 3000K
35 = 3500K
40 = 4000K

4. Finish

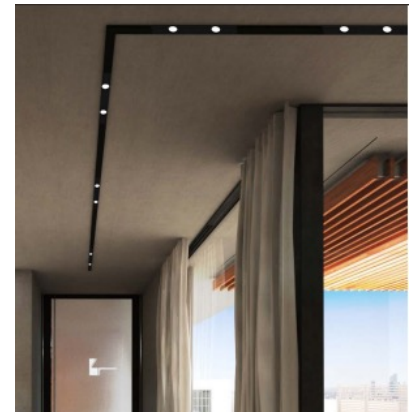
WW = White Body / White Reflector
BB = Black Body / Black Reflector

3. Optic

NS = 25°
S = 45°
M = 50°

5. Dimming

0-10V = BLANK



Example: **DOS1-30-NS-BB** = DOS 1 - 3000K – 25° Optic – Black Body/ Black Reflector – 0-10V Dimming