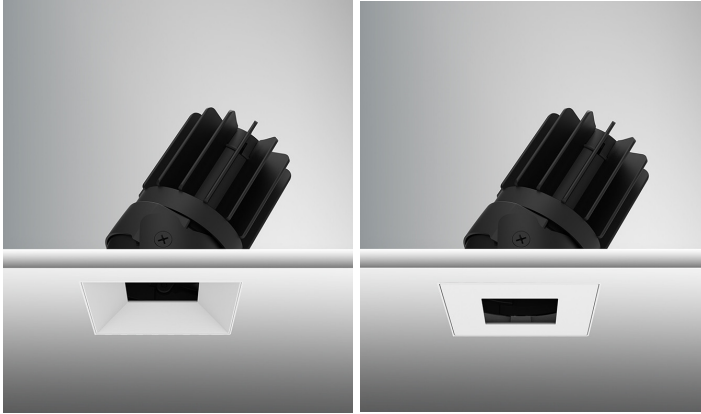


WILLOW – HO SQUARE TRIMLESS ADJUSTABLE

V2.8

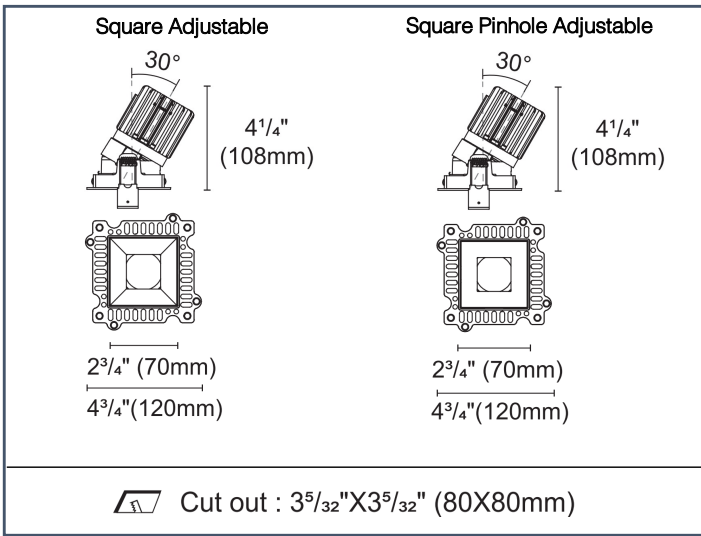


TECHNICAL SPECIFICATION

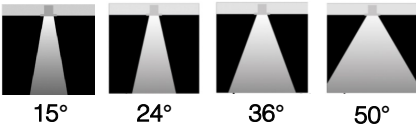
The full range of recessed LED downlights with their compact tapered design provides excellent visual comfort, energy efficiency, easy installation and good architectural integration. The most advanced LED modules on the market are installed to ensure reliable, quality lighting. Full range of optics with 30 degree cut-off angle and a variety of mounting solutions to meet any lighting need, even in double-height ceilings, in any material and environment. The adjustable WILLOW also features a precise and reliable tilt and rotation system, even when the product is already in place.

SPECIFICATIONS

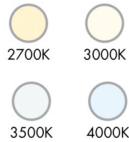
- Construction: Die-cast Aluminum
- Optics: PMMA Lens
- Power: 20W Input: 120-277 VAC, 50/60Hz
- CCT: 2700K, 3000K, 3500K, 4000K
- CRI: +90
- LED Source: 1825lm-1825lm
- Beam Angle: 15°/24°/36°/50°
- Adjustable fixture from 0° -30° Tilt – Rotation 0°-358°
- Dimming Options: DALI – TRIAC – 0-10V
- Light Source: Integrated LED Lens: TIR lens
- Rated Life: L80 >50000 Hours
- Finish: Black/ White
- Reflector: Black/ White
- Standards: ETL, cETL, Wet and Damp Location Listed



OPTICS



CCT



FINISHES

- Color: Black White
- Reflector: Black White

1. Trim Type

- WIL-HO-SATL** = High Output Trimless Reflector, Adjustable, (1825lm)
- WILP-HO-SATL** = Pinhole, High Output Trimless Reflector, Adjustable (1825lm)

2. Color Temperature

- 27** = 2700K
30 = 3000K
35 = 3500K
40 = 4000K

3. Optic

- NS** = 15°
N = 24°
M = 36°
W = 50°

4. Finish

- WW** = White Trim / White Reflector
BB = Black Trim / Black Reflector

5. Dimming

Please see Housing Ordering Sheet (page 2)

Accessories



Example: **WIL-HO-SATL-30-M-WW** = Willow High Output Adjustable Trimless Downlight – 3000K – 36° Optic – White Trim/ White Reflector

WILLOW – SQUARE TRIMLESS

V2.8

TRIAC

0-10V

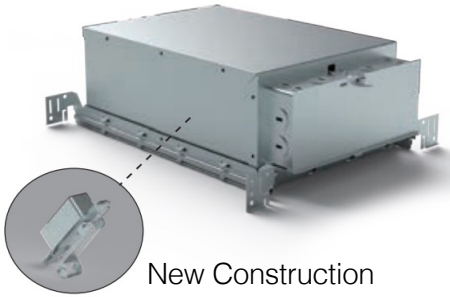
14¹/₈" (358mm)

12¹/₁₆" (306mm)

7¹¹/₁₆" (195mm)

8³/₈" (213mm)

11⁵/₈" (296mm)



New Construction

11⁷/₈" (301mm)

3³/₈" (86mm)


1³/₄" (44mm)

4³/₄" (121mm)

LZNCIC-3

TRIAC

0-10V



Remodel

8¹/₂" (212mm)

1¹⁵/₁₆" (50mm)

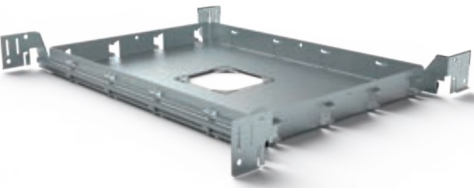
1¹/₂" (38mm)

Internal space dimension:
L 8¹/₄" (209mm) X W 1⁷/₈" (48mm) X H 1⁵/₁₆" (33mm)

LZREM-3

TRIAC

0-10V



New Construction Plate

14¹/₈" (358mm)

12¹/₁₆" (306mm)


11⁵/₈" (296mm)

8⁷/₁₆" (215mm)

1⁷/₁₆" (37mm)

LZNCPC-23

1. Trim Type	2. CONTROL	3. OPTIONS
<p>LZNCIC-3 = New Construction Housing – IC Rated</p> <p>LZREM-3 = Remodel Housing (non IC)</p> <p>LZNCPC-23 = New Construction Plate (non IC)</p>	<p>TRIAC = TRIAC (120V)</p> <p>0-10V = 0-10V (120-277V)</p> <p>DALI = DALI (120-277V)</p>	<p>EMB = Emergency Battery Holder / Battery Not Included</p>



EMB – Emergency holder.

Example: **LZNCIC-2-TRIAC** = New Construction Housing – Triac Dimming