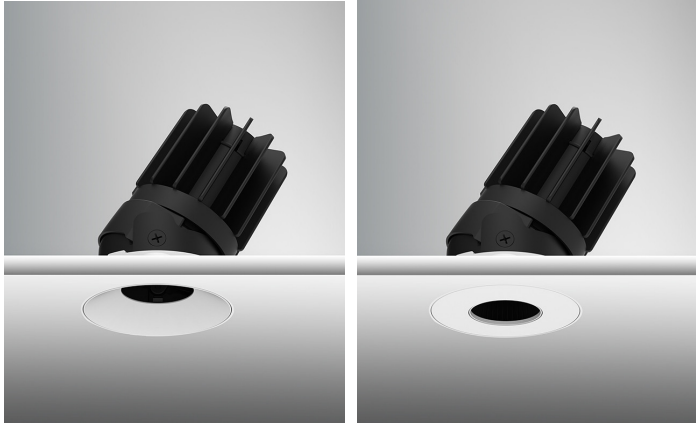


WILLOW – HO ROUND TRIMLESS ADJUSTABLE

V2.8

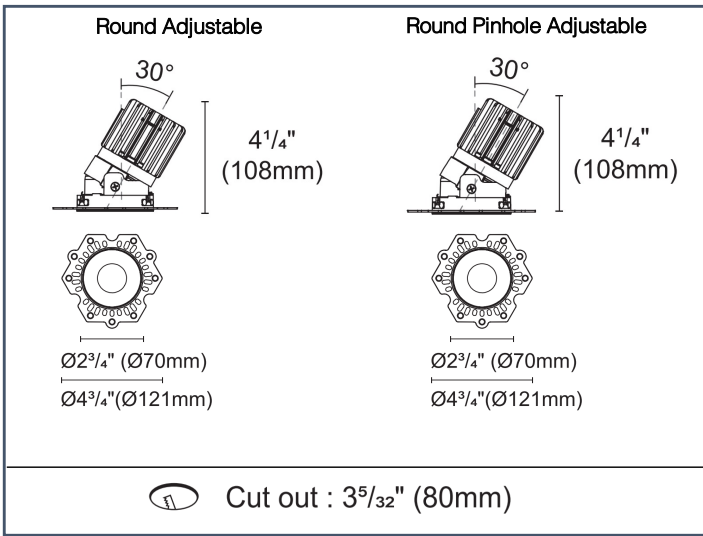


TECHNICAL SPECIFICATION

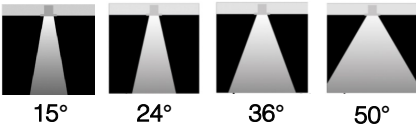
The full range of recessed LED downlights with their compact tapered design provides excellent visual comfort, energy efficiency, easy installation and good architectural integration. The most advanced LED modules on the market are installed to ensure reliable, quality lighting. Full range of optics with 30 degree cut-off angle and a variety of mounting solutions to meet any lighting need, even in double-height ceilings, in any material and environment. The adjustable WILLOW also features a precise and reliable tilt and rotation system, even when the product is already in place.

SPECIFICATIONS

- Construction: Die-cast Aluminum
- Optics: PMMA Lens
- Power: 20W Input: 120-277 VAC, 50/60Hz
- CCT: 2700K, 3000K, 3500K, 4000K
- CRI: +90
- LED Source: 1825lm-1825lm
- Beam Angle: 15°/24°/36°/50°
- Adjustable fixture from 0° -30° Tilt – Rotation 0°-358°
- Dimming Options: DALI – TRIAC – 0-10V
- Light Source: Integrated LED Lens: TIR lens
- Rated Life: L80 >50000 Hours
- Finish: Black/ White
- Reflector: Black/ White
- Standards: ETL, cETL, Damp Location Listed



OPTICS



CCT



FINISHES

- Color: Black White
- Reflector: Black White

1. Trim Type

- WIL-HO-RATL** = High Output Round Trimless Reflector, Adjustable, (1825lm)
- WILP-HO-RATL** = Pinhole, High Output Round Trimless Reflector, Adjustable (1825lm)

2. Color Temperature

- 27** = 2700K
- 30** = 3000K
- 35** = 3500K
- 40** = 4000K

3. Optic

- NS** = 15°
- N** = 24°
- M** = 36°
- W** = 50°

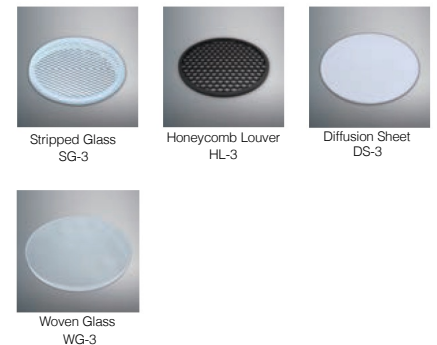
4. Finish

- WW** = White Trim / White Reflector
- BB** = Black Trim / Black Reflector

5. Dimming

Please see Housing Ordering Sheet (page 2)

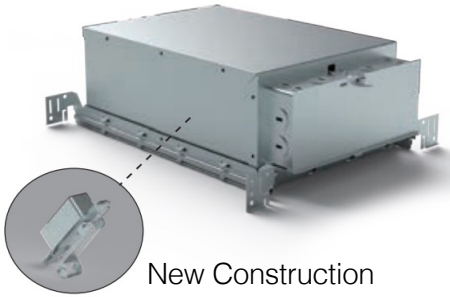
Accessories



Example: **WIL-HO-RATL-30-M-WW** = Willow High Output Round Adjustable Trimless Downlight – 3000K – 36° Optic – White Trim/ White Reflector


WILLOW – HO ROUND TRIMLESS ADJUSTABLE

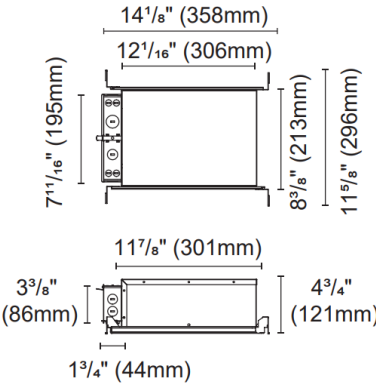
V2.8

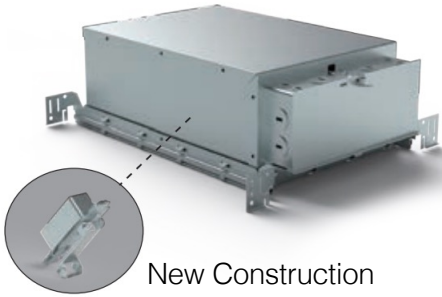


TRIAC


0-10V








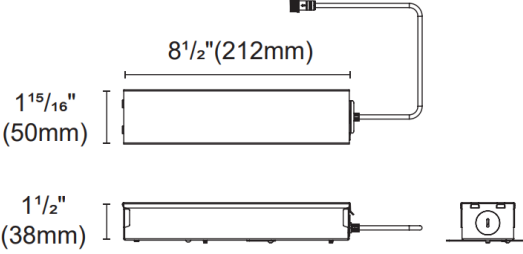
LZNCIC-3
New Construction




TRIAC

0-10V

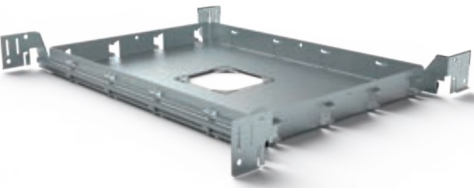







LZREM-3
Remodel

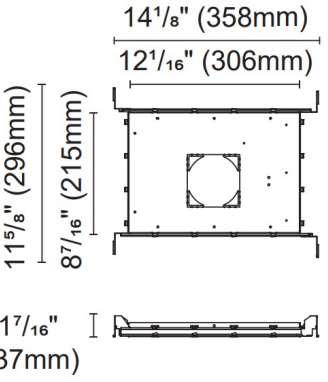
Internal space dimension:
L 8 1/4" (209mm) X W 1 7/8" (48mm) X H 1 5/16" (33mm)

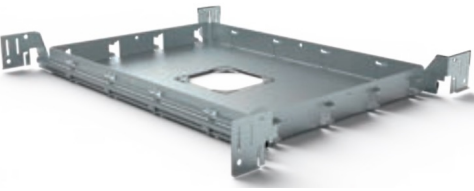


TRIAC

0-10V








LZNCP-23
New Construction Plate

1. Trim Type	2. CONTROL	3. OPTIONS
LZNCIC-3 = New Construction Housing – IC Rated	TRIAC = TRIAC (120V) 0-10V = 0-10V (120-277V) DALI = DALI (120-277V)	EMB = Emergency Battery Holder / Battery Not Included
LZREM-3 = Remodel Housing (non IC)		
LZNCP-23 = New Construction Plate (non IC)		



EMB – Emergency holder.

Example: **LCNCIC-3-TRIAC** = New Construction Housing – Triac Dimming