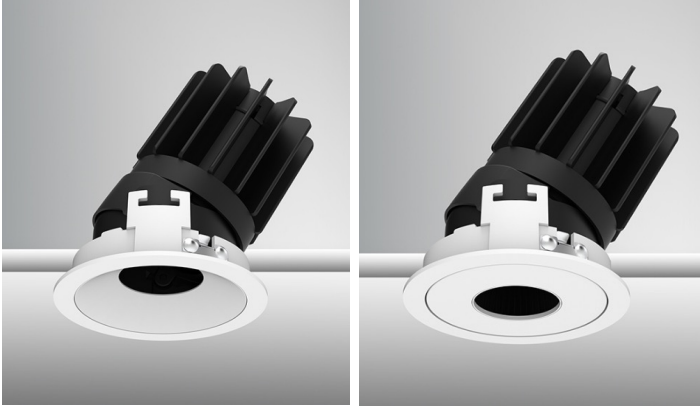


WILLOW – HO ROUND ADJUSTABLE

V2.8

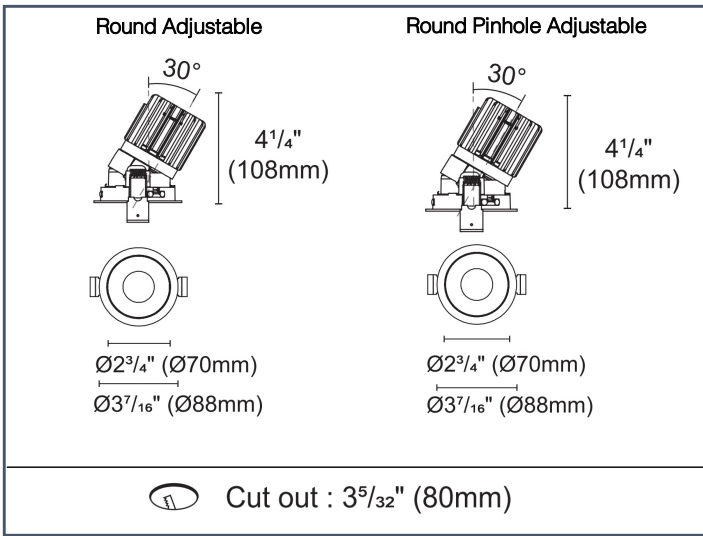


TECHNICAL SPECIFICATION

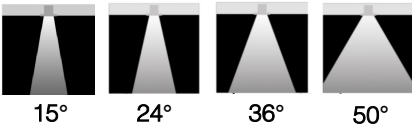
The full range of recessed LED downlights with their compact tapered design provides excellent visual comfort, energy efficiency, easy installation and good architectural integration. The most advanced LED modules on the market are installed to ensure reliable, quality lighting. Full range of optics with 30 degree cut-off angle and a variety of mounting solutions to meet any lighting need, even in double-height ceilings, in any material and environment. The adjustable WILLOW also features a precise and reliable tilt and rotation system, even when the product is already in place.

SPECIFICATIONS

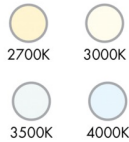
- Construction: Die-cast Aluminum
- Optics: PMMA Lens
- Power: 20W Input: 120-277 VAC, 50/60Hz
- CCT: 2700K, 3000K, 3500K, 4000K
- CRI: +90
- LED Source: 1825lm
- Beam Angle: 15°/24°/36°/ 50°
- Adjustable fixture from 0° -30° Tilt – Rotation 0°-358°
- Dimming Options: DALI – TRIAC – 0-10V
- Light Source: Integrated LED Lens: TIR lens
- Rated Life: L80 >50000 Hours
- Finish: Black/ White
- Reflector: Black/ White
- Standards: ETL, cETL, Damp Location Listed



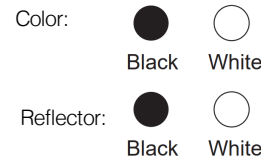
OPTICS



CCT



FINISHES



1. Trim Type

WIL-HO-RAT = High Output Round Reflector, Adjustable, (1825lm)
WILP-HO-RAT = Pinhole, High Output Round Reflector, Adjustable, (1825lm)

2. Color Temperature

27 = 2700K
30 = 3000K
35 = 3500K
40 = 4000K

4. Finish

WW = White Trim / White Reflector
BB = Black Trim / Black Reflector

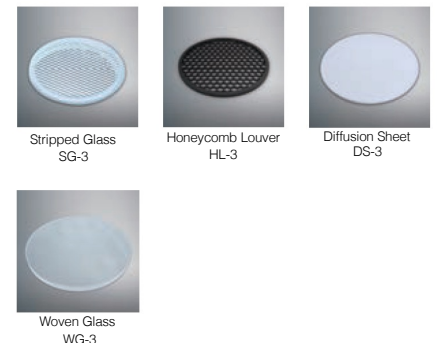
3. Optic

NS = 15°
N = 24°
M = 36°
W = 50°

5. Dimming

Please see Housing Ordering Sheet (page 2)

Accessories



Example: **WIL-HO-RAT-30-M-WW** = Willow Round Adjustable High Output Downlight – 3000K – 36° Optic – White Trim/ White Reflector

WILLOW – HO ROUND ADJUSTABLE

V2.8

TRIAC

0-10V

14¹/₈" (358mm)

12¹/₁₆" (306mm)

7¹¹/₁₆" (195mm)

8³/₈" (213mm)

11⁵/₈" (296mm)

11⁷/₈" (301mm)

3³/₈" (86mm)

4³/₄" (121mm)

1³/₄" (44mm)

LZNCIC-3

New Construction

TRIAC

0-10V

8¹/₂" (212mm)

1¹⁵/₁₆" (50mm)

1¹/₂" (38mm)

LZREM-3

Remodel

Internal space dimension:
L 8¹/₄" (209mm) X W 1⁷/₈" (48mm) X H 1⁵/₁₆" (33mm)

TRIAC

0-10V

14¹/₈" (358mm)

12¹/₁₆" (306mm)

11⁵/₈" (296mm)

8⁷/₁₆" (215mm)

1⁷/₁₆" (37mm)

LZNCP-23

New Construction Plate

1. Trim Type

- LZNCIC-3** = New Construction Housing – IC Rated
- LZREM-3** = Remodel Housing (non IC)
- LZNCP-23** = New Construction Plate (non IC)

2. CONTROL

- TRIAC** = TRIAC (120V)
- 0-10V** = 0-10V (120-277V)
- DALI** = DALI (120-277V)

3. OPTIONS

- EMB** = Emergency Battery Holder / Battery Not Included



Example: **LCNCIC-3-TRIAC** = New Construction Housing – Triac Dimming