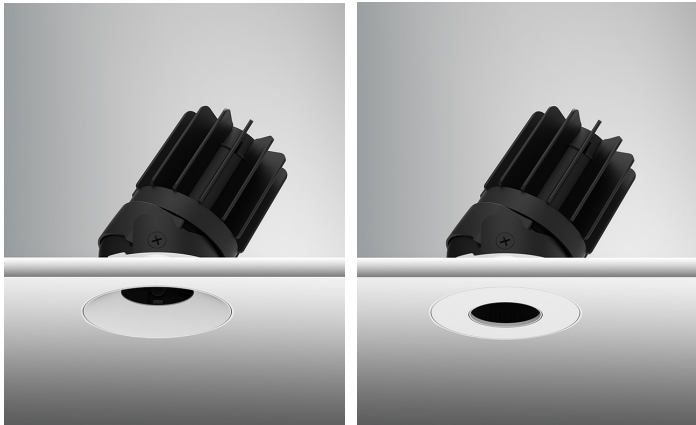


WILLOW – RO ROUND TRIMLESS ADJUSTABLE

V2.8

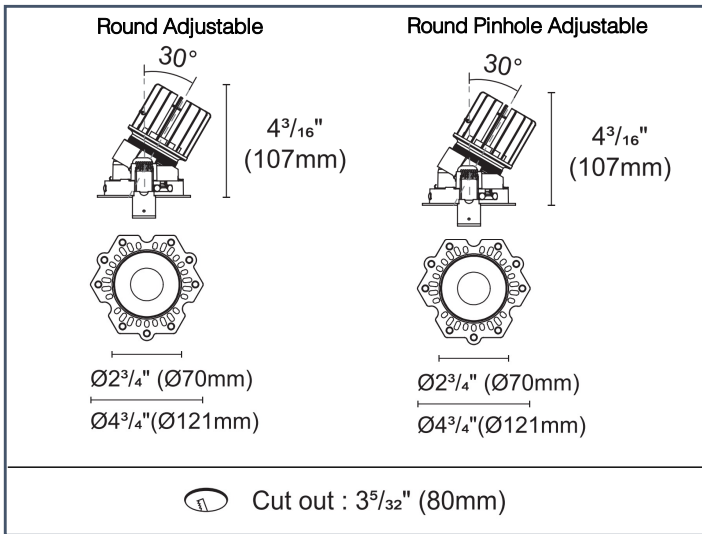


TECHNICAL SPECIFICATION

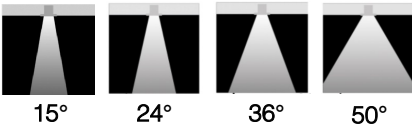
The full range of recessed LED downlights with their compact tapered design provides excellent visual comfort, energy efficiency, easy installation and good architectural integration. The most advanced LED modules on the market are installed to ensure reliable, quality lighting. Full range of optics with 30 degree cut-off angle and a variety of mounting solutions to meet any lighting need, even in double-height ceilings, in any material and environment. The adjustable WILLOW also features a precise and reliable tilt and rotation system, even when the product is already in place.

SPECIFICATIONS

- Construction: Die-cast Aluminum
- Optics: PMMA Lens
- Power: 8W Input: 120-277 VAC, 50/60Hz
- CCT: 2700K, 3000K, 3500K, 4000K
- CRI: +90
- LED Source: 756lm
- Beam Angle: 15°/24°/36°/50°
- Adjustable fixture from 0° -30° Tilt – Rotation 0°-358°
- Dimming Options: DALI – TRIAC – 0-10V
- Light Source: Integrated LED Lens: TIR lens
- Rated Life: L80 >50000 Hours
- Finish: Black/ White
- Reflector: Black/ White
- Standards: ETL, cETL, Damp Location Listed
- IC Rated – No Housing Required for IC Applications



OPTICS



CCT



FINISHES

- Color: Black White
- Reflector: Black White

1. Trim Type

WIL-RO-RATL = Regular Output Round Trimless Reflector, Adjustable, (756lm)

WILP-RO-RATL = Pinhole, Regular Output Round Trimless Reflector, Adjustable (756lm)

2. Color Temperature

27 = 2700K
30 = 3000K
35 = 3500K
40 = 4000K

3. Optic

NS = 15°
N = 24°
M = 36°
W = 50°

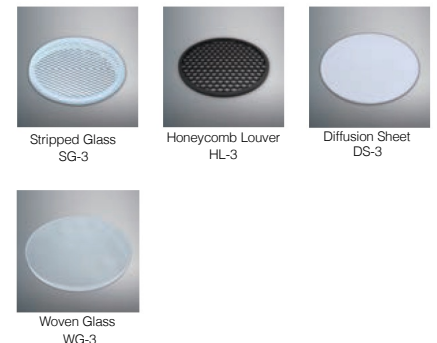
4. Finish

WW = White Trim / White Reflector
BB = Black Trim / Black Reflector

5. Dimming

Please see Housing Ordering Sheet (page 2)


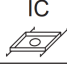
Accessories


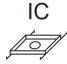
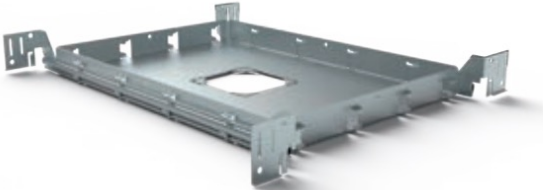
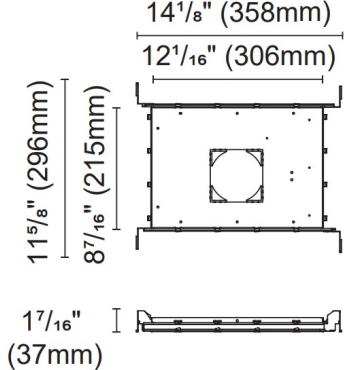


Example: **WIL-RO-RATL-30-M-WW** = Willow Regular Output Round Adjustable Trimless Downlight – 3000K – 36° Optic – White Trim/ White Reflector

WILLOW – ROUND TRIMLESS

V2.8

	TRIAC	0-10V		
				Remodel
LZREM-2				 <p>8¹/₈" (206mm) 1⁹/₁₆" (40mm) 1¹/₈" (29mm)</p> <p>Internal space dimension: L 4¹/₄" (108mm) X W 1³/₈" (35mm) X H 1" (26mm)</p>

	TRIAC	0-10V		
				New Construction Plate
LZNCP-23				 <p>14¹/₈" (358mm) 12¹/₁₆" (306mm) 11⁵/₈" (296mm) 8⁷/₁₆" (215mm) 1⁷/₁₆" (37mm)</p>

1. Trim Type

LZREM-2 = Remodel Housing

LZNCP-23 = New Construction Plate
(Includes Remodel Housing)

2. CONTROL

TRIAC = TRIAC (120V)
0-10V = 0-10V (120-277V)
DALI = DALI (120-277V)

3. OPTIONS

EMB = Emergency Battery Holder / Battery Not Included



Example: **LZREM-TRIAC** = Remodel Housing – Triac Dimming